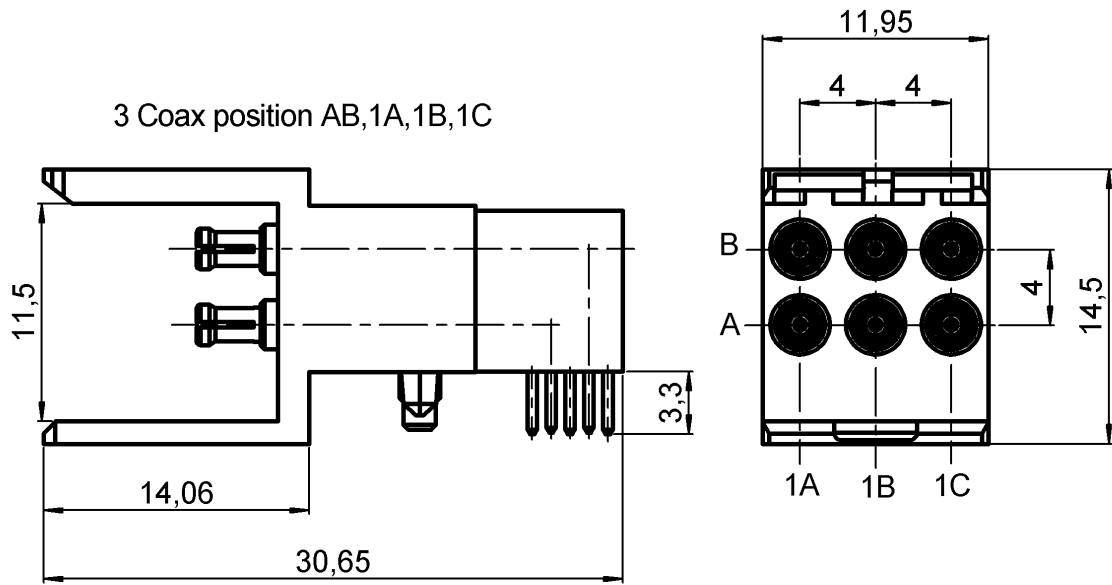


MALE COAXIPACK 6 COAX

R694.251.247

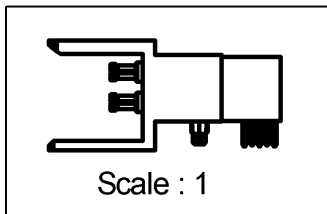
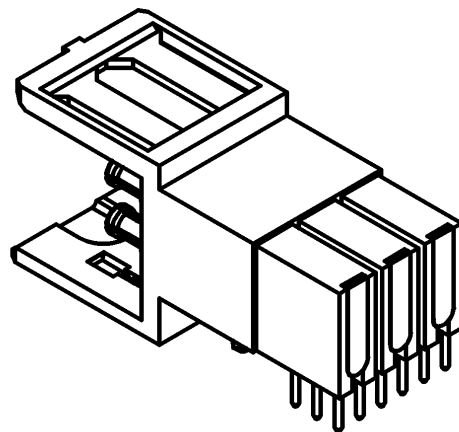
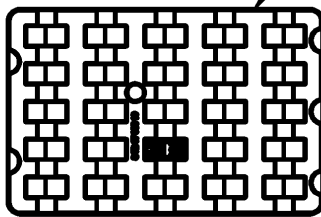
SOLDER TYPE 3.5

Series : MCC2



3 Coax position AB,1A,1B,1C

Packaging for the connector



All dimensions are in mm.



COMPONENTS	MATERIALS	PLATING (µm)
BODY	BRASS	NICKEL 2
CENTER CONTACT	BERYLLIUM COPPER	NPGR
OUTER CONTACT	BRONZE	NPGR
INSULATOR	PEEK , ULTEM	
GASKET	-	
OTHERS PARTS	LIQUID CRISTAL POLYMER	
-	-	
-	-	

Issue : 0630 A

In the effort to improve our products, we reserve the right to make changes judged to be necessary.



MALE COAXIPACK 6 COAX

R694.251.247

SOLDER TYPE 3.5

Series : MCC2

PACKAGING

SPECIFICATION

Standard	Unit	Other
25	'W' option	Contact us

ELECTRICAL CHARACTERISTICS

ENVIRONMENTAL

Impedance	50	Ω
Frequency	0-6	GHz
VSWR	1.20* + 0,0000	x F(GHz) Maxi
Insertion loss	0.2	\sqrt{F} (GHz) dB Maxi
RF leakage	- (- F(GHz)) dB Maxi
Voltage rating	500	Veff Maxi
Dielectric withstanding voltage	750	Veff mini
Insulation resistance	5000	M Ω mini

Operating temperature	-25/+125°	$^{\circ}$ C
Hermetic seal		Atm.cm3/s
Panel leakage		

OTHER CHARACTERISTICS

Assembly instruction

Others :
ROS optimised 0-3GHz

MECHANICAL CHARACTERISTICS

Center contact retention		
Axial force – Mating end	6	N mini
Axial force – Opposite end	6	N mini
Torque	NA	N.cm mini
Recommended torque		
Mating		N.cm
Panel nut		N.cm
Mating life	500	Cycles mini
Weight	7,5200	g

Issue : 0630 A

In the effort to improve our products, we reserve the right to make changes judged to be necessary.



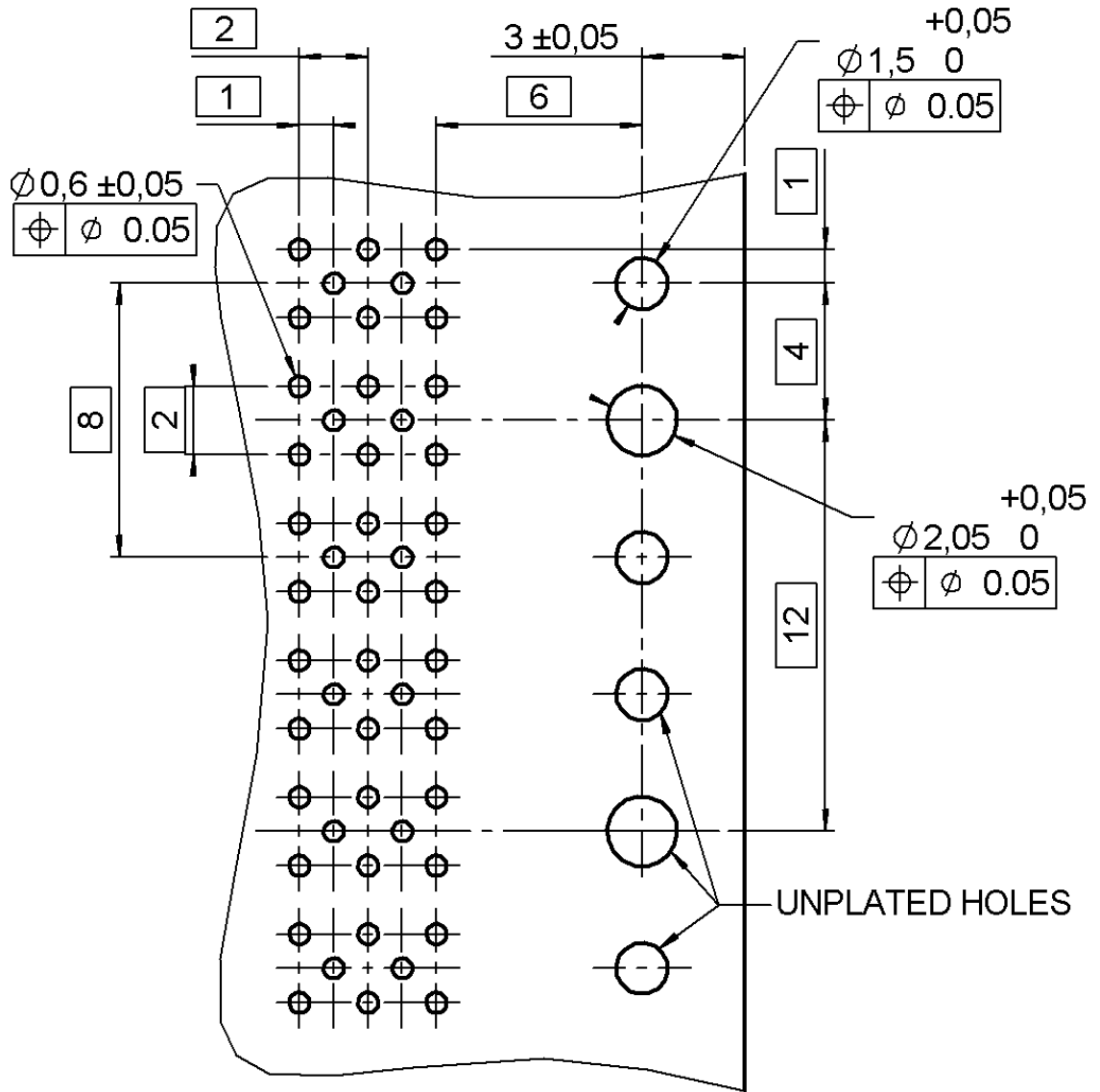
PRELIMINARY

MALE COAXIPACK 6 COAX

SOLDER TYPE 3.5

R694.251.247

Series : MCC2



Issue : 0630 A

In the effort to improve our products, we reserve the right to make changes judged to be necessary.

