

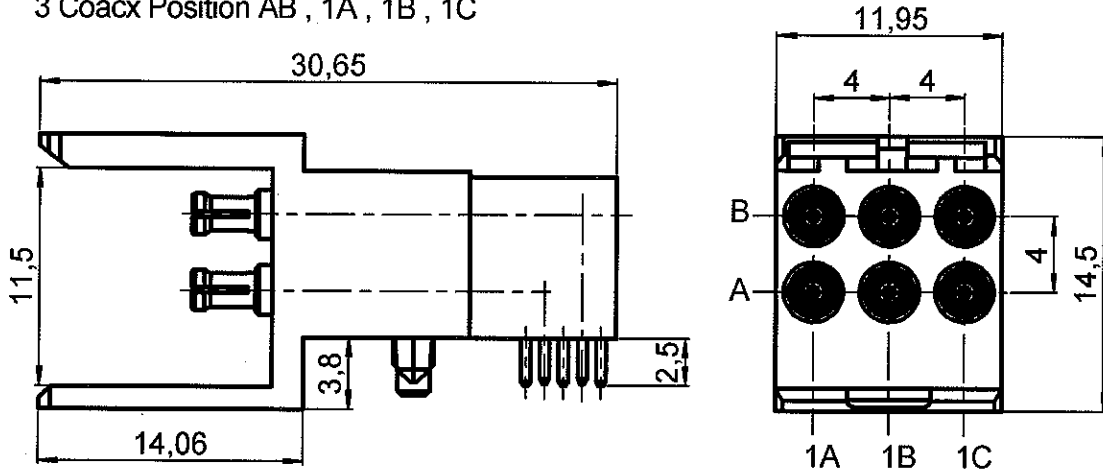
RIGHT ANGLE MALE SHIELDED MODULE 6

R694.251.127

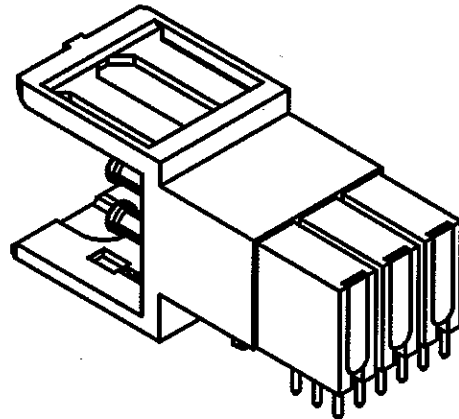
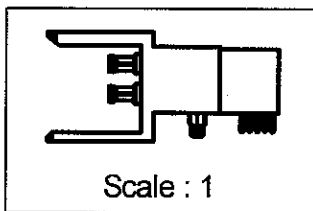
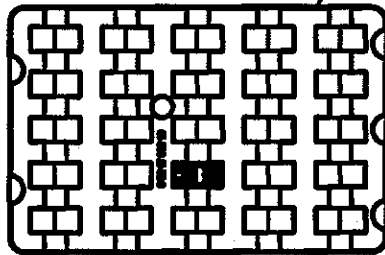
COUDES A SOUDER 2.5

Series : MCC2

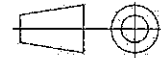
3 Coax Position AB , 1A , 1B , 1C



Connectors' packaging



All dimensions are in mm.



COMPONENTS	MATERIALS	PLATING (µm)
BODY	BRASS	NICKEL 2
CENTER CONTACT	BERYLLIUM COPPER	NPGR
OUTER CONTACT	BRONZE	NPGR
INSULATOR	PEEK , ULTEM	
GASKET	-	
OTHERS PARTS	LIQUID CRYSTAL POLYMER	NICKEL 0.6 OVER COPPER 3
-	-	-
-	-	-

Issue : 0818 B

In the effort to improve our products, we reserve the right to make changes judged to be necessary.



RIGHT ANGLE MALE SHIELDED MODULE 6

R694.251.127

COUDES A SOUDER 2.5

Series : MCC2

PACKAGING

Standard	Unit	Other
25	'W' option	Contact us

SPECIFICATION

ELECTRICAL CHARACTERISTICS

Impedance	50	Ω
Frequency	0-6	GHz
VSWR	1.20* + 0,0000	x F(GHz) Maxi
Insertion loss	0.2	√F(GHz) dB Maxi
RF leakage	- (- F(GHz)) dB Maxi
Voltage rating	500	Veff Maxi
Dielectric withstanding voltage	750	Veff mini
Insulation resistance	5000	MΩ mini

ENVIRONMENTAL

Operating temperature	-25/+125	° C
Hermetic seal	NA	Atm.cm3/s
Panel leakage	NA	

OTHER CHARACTERISTICS

Assembly instruction

Others :
Optimised 0-3GHz

MECHANICAL CHARACTERISTICS

Center contact retention		
Axial force – Mating end	6	N mini
Axial force – Opposite end	6	N mini
Torque	NA	N.cm mini
Recommended torque		
Mating	NA	N.cm
Panel nut	NA	N.cm
Mating life	500	Cycles mini
Weight	7,9500	g

Issue : 0818 B

In the effort to improve our products, we reserve the right to make changes judged to be necessary.



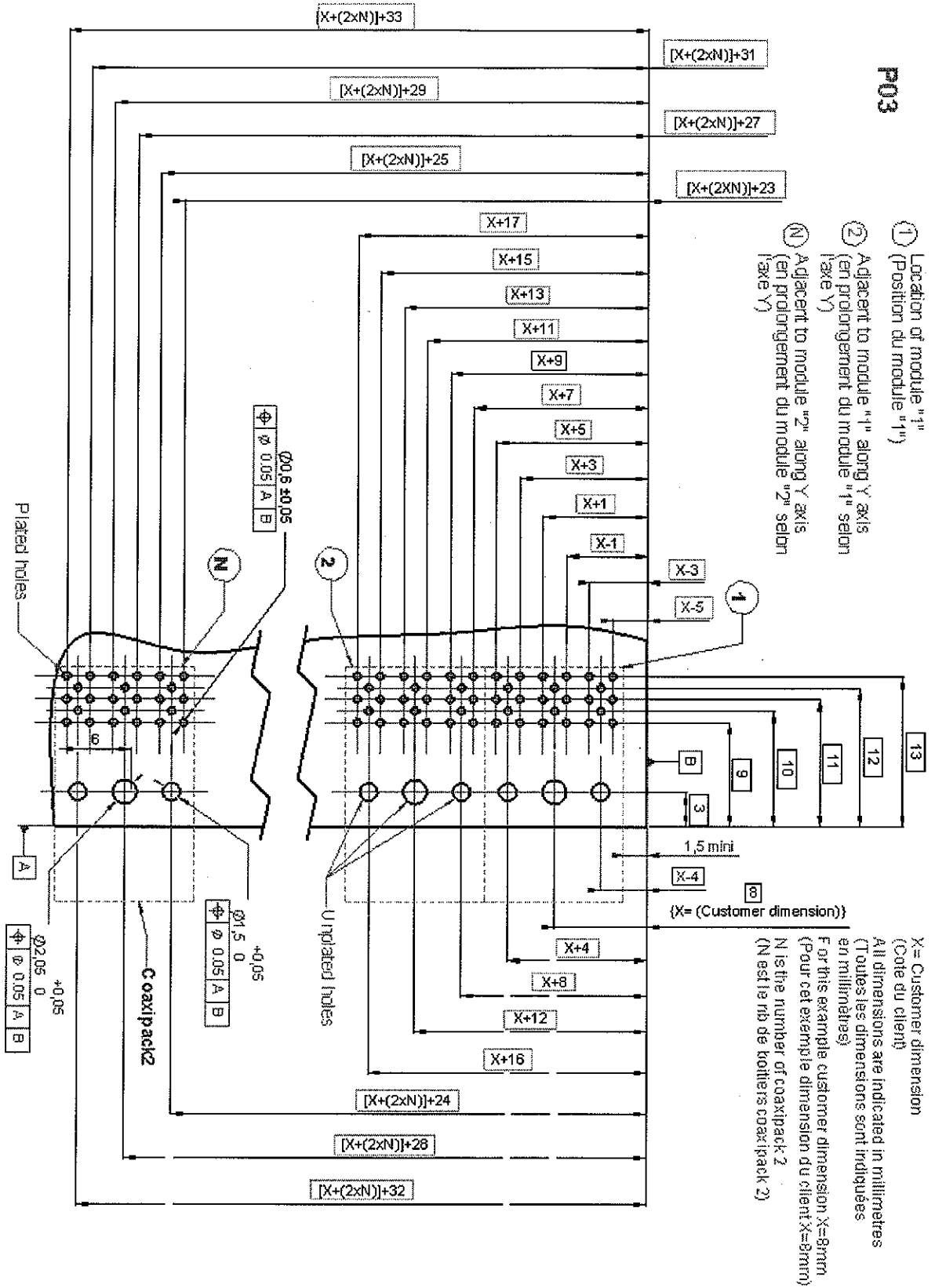
RADIALL®

RIGHT ANGLE MALE SHIELDED MODULE 6

R694.251.127

COUDES A SOUDER 2.5

Series : MCC2



P03

- ① Location of module "1"
(Position du module "1")
- ② Adjacent to module "1" along Y axis
(en prolongement du module "1" selon l'axe Y)
- Ⓝ Adjacent to module "2" along Y axis
(en prolongement du module "2" selon l'axe Y)

X = Customer dimension
(Cote du client)
All dimensions are indicated in millimetres
(Toutes les dimensions sont indiquées en millimètres)
For the example customer dimension X=8mm
(Pour cet exemple dimension du client X=8mm)
N is the number of coaxipack 2
(N est le nb de kotters coaxipack 2)

Issue : 0818 B

In the effort to improve our products, we reserve the right to make changes judged to be necessary.



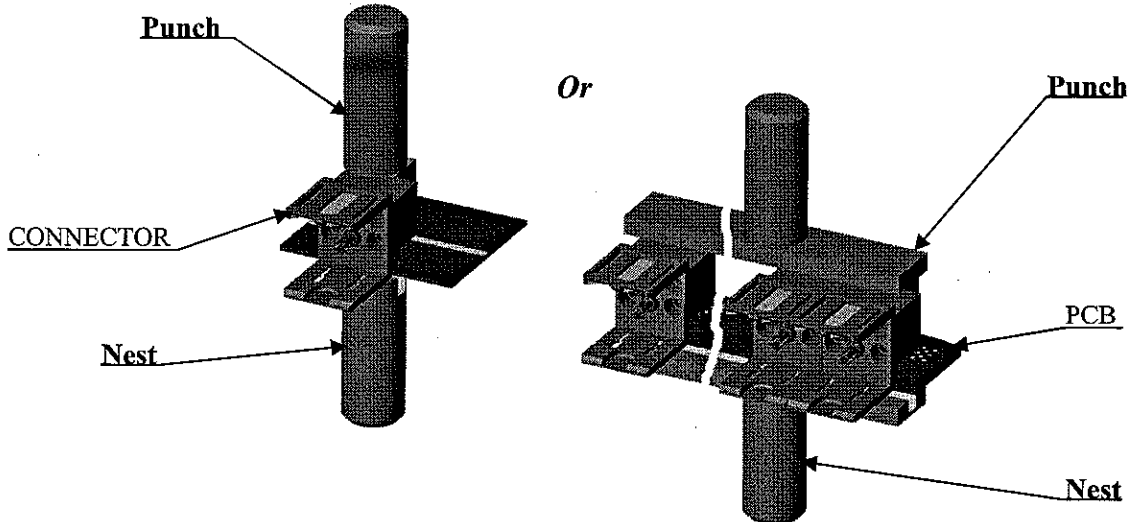
RIGHT ANGLE MALE SHIELDED MODULE 6

R694.251.127

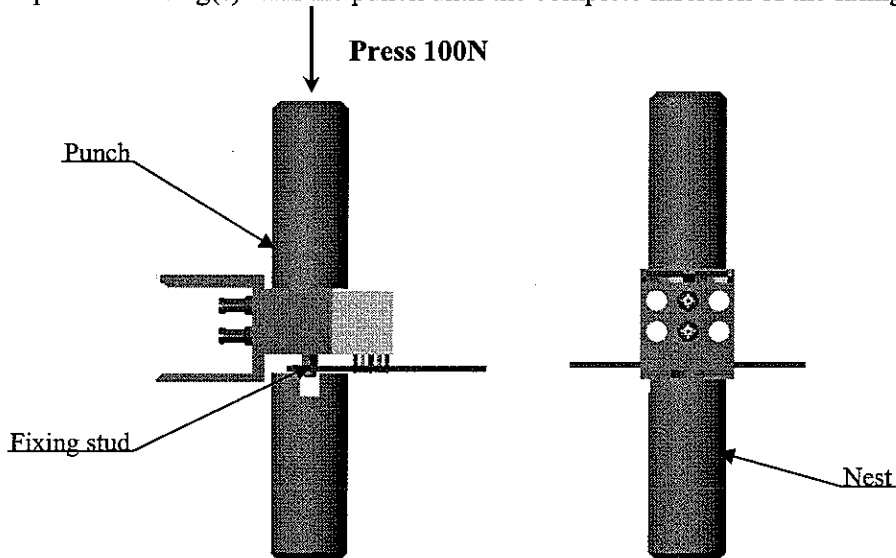
COUDES A SOUDER 2.5

Series : MCC2

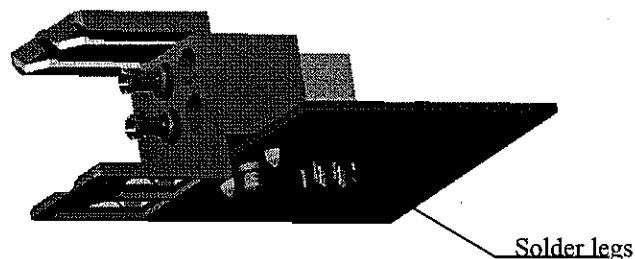
- Place the coax connector on the PCB



- Place correctly the PCB between the punch and the nest of the press.
- In case of multiple housing configuration , use a punch and a nest large enough to cover all the housings.
- Press on the plastic housing(s) with the punch until the complete insertion of the fixing stud into the PCB.



- Solder the legs on board



Radiall do not recommend to use more than 3 modules on the same motherboard and can't be held liable of any connection defect when more than 3 modules are implemented on the board

Issue : 0818 B

In the effort to improve our products, we reserve the right to make changes judged to be necessary.

