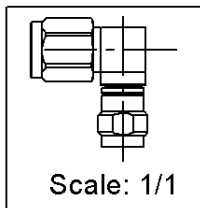
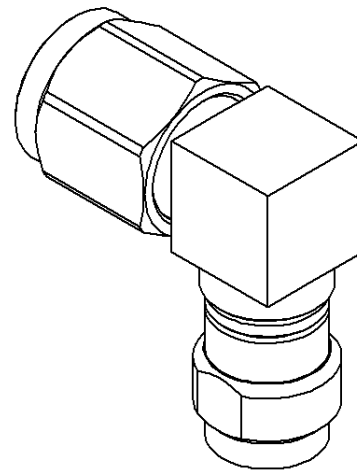
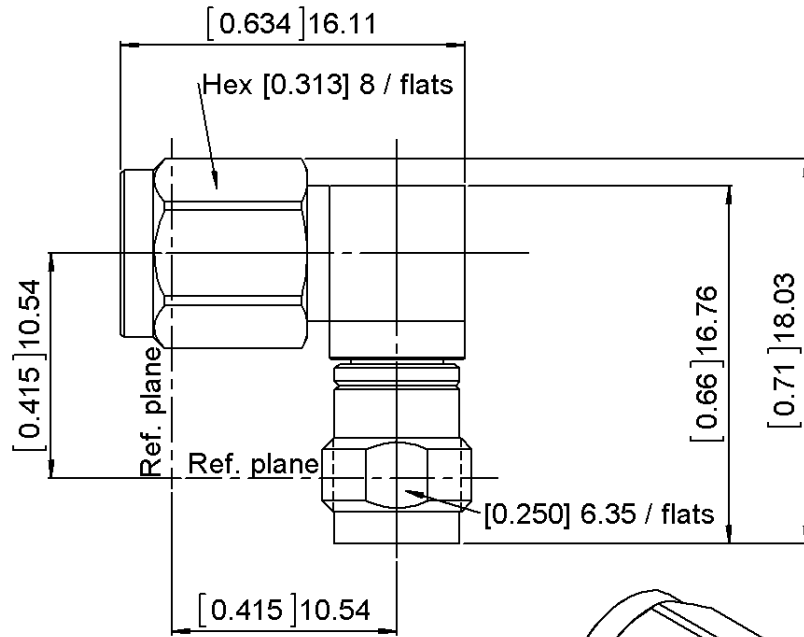


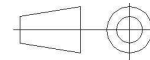
**RIGHT ANGLE ADAPTOR MALE FEMALE**

**R327.771.000**

Série : 2.4MM



All dimensions are in mm.



| COMPONENTS     | MATERIALS        | PLATING (µm)             |
|----------------|------------------|--------------------------|
| BODY           | BERYLLIUM COPPER | GOLD 0.8 OVER COPPER 2.5 |
| CENTER CONTACT | BERYLLIUM COPPER | GOLD 1.3 OVER NICKEL 2   |
| OUTER CONTACT  | BRASS.           | GOLD 0.8 OVER COPPER 2.5 |
| INSULATOR      | PEEK             |                          |
| GASKET         | SILICONE RUBBER  |                          |
| OTHERS PARTS   | STAINLESS STEEL  | PASSIVATED               |
| -              | -                | -                        |
| -              | -                | -                        |

Issue : 1351 B

In the effort to improve our products, we reserve the rights to make changes judged to be necessary.  
 This document contains proprietary information and such information shall not be disclosed to any third party for any purpose whatsoever or used for manufacturing purposes without prior written agreement from RADIALL



**RIGHT ANGLE ADAPTOR MALE FEMALE**

**R327.771.000**

Série : 2.4MM

**PACKAGING**

| Standard | Unit              | Other             |
|----------|-------------------|-------------------|
| <b>1</b> | <b>'W' option</b> | <b>Contact us</b> |

**SPECIFICATION**

**ELECTRICAL CHARACTERISTICS**

|                                 |                      |                          |
|---------------------------------|----------------------|--------------------------|
| Impedance                       | <b>50</b>            | $\Omega$                 |
| Frequency                       | <b>0-50</b>          | GHz                      |
| VSWR                            | <b>1.05 + 0.0080</b> | x F(GHz) Maxi            |
| Insertion loss                  | <b>0.06</b>          | $\sqrt{F}$ (GHz) dB Maxi |
| RF leakage                      | - ( <b>100**</b>     | - F(GHz)) dB Maxi        |
| Voltage rating                  | <b>250</b>           | Veff Maxi                |
| Dielectric withstanding voltage | <b>500</b>           | Veff mini                |
| Insulation resistance           | <b>5000</b>          | M $\Omega$ mini          |

**ENVIRONMENTAL**

|               |                 |              |
|---------------|-----------------|--------------|
| Operating     | <b>-65/+165</b> | $^{\circ}$ C |
| Hermetic seal | <b>NA</b>       | Atm.cm3/s    |
| Panel leakage | <b>NA</b>       |              |

**MECHANICAL CHARACTERISTICS**

|                            |               |             |
|----------------------------|---------------|-------------|
| Center contact retention   |               |             |
| Axial force – Mating end   | <b>27</b>     | N mini      |
| Axial force – Opposite end | <b>27</b>     | N mini      |
| Torque                     | <b>NA</b>     | N.cm mini   |
| Recommended torque         |               |             |
| Mating                     | <b>90</b>     | N.cm        |
|                            | <b>0</b>      | N.cm        |
|                            | <b>0</b>      | N.cm        |
| Panel nut                  | <b>NA</b>     | N.cm        |
| Mating life                | <b>500</b>    | Cycles mini |
| Weight                     | <b>5.4100</b> | g           |

**OTHER CHARACTERISTICS**

\*\*RF leakage at 1 GHz

Issue : 1351 B

In the effort to improve our products, we reserve the rights to make changes judged to be necessary.  
 This document contains proprietary information and such information shall not be disclosed to any third party for any purpose whatsoever or used for manufacturing purposes without prior written agreement from RADIALL

