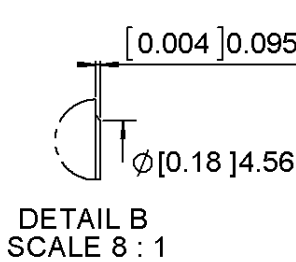
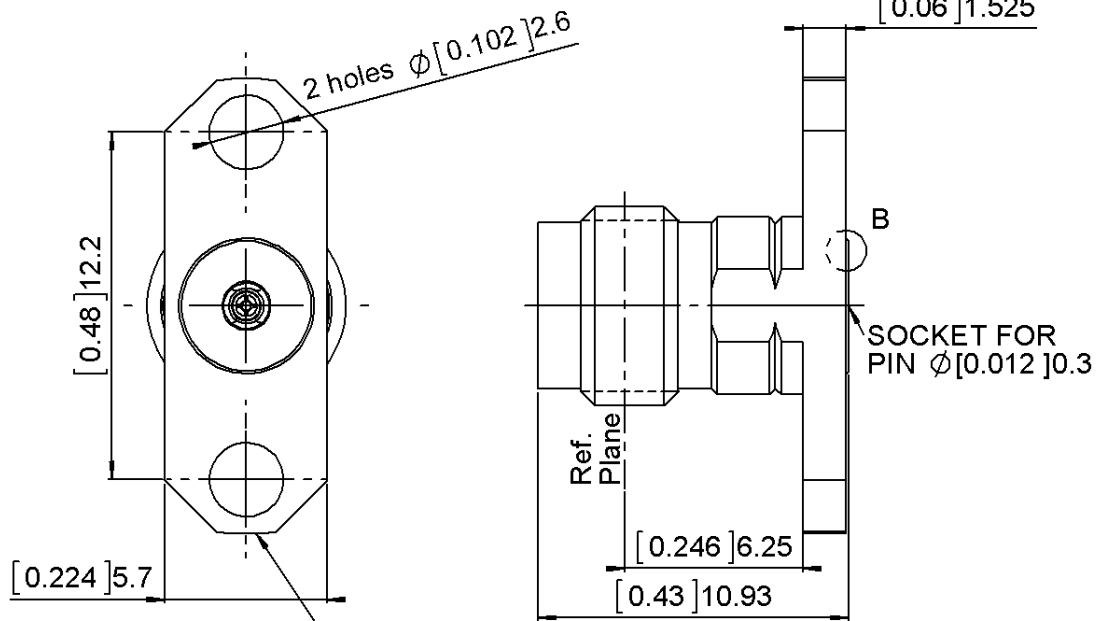


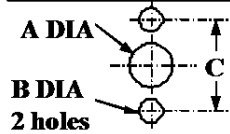
UNIVERSAL 2 HOLES FLANGE JACK RECEPTACLE
FOR AXIS 0.3 MM

R327.465.000

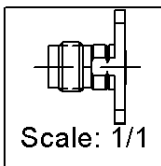
Series : 2.4MM



PANEL CUT OUT



	mm	
	Maxi	mini
A	1.63	1.60
B	2.7	2.6
C	12.25	12.15



All dimensions are in mm.

COMPONENTS	MATERIALS	PLATING (μ m)
BODY	BERYLLIUM COPPER	GOLD 0.8 OVER COPPER 2.5
CENTER CONTACT	BERYLLIUM COPPER	GOLD 1.3 OVER NICKEL 2
OUTER CONTACT	BRASS.	GOLD 0.8 OVER COPPER 2.5
INSULATOR	PEEK	
GASKET		
OTHERS PARTS		
:	:	:
:	:	:

Issue : 1351 B

In the effort to improve our products, we reserve the right to make changes judged to be necessary.



UNIVERSAL 2 HOLES FLANGE JACK RECEPTACLE
FOR AXIS 0.3 MM

R327.465.000

Series : **2.4MM**

PACKAGING

Standard	Unit	Other
1	'W' option	Contact us

SPECIFICATION

ELECTRICAL CHARACTERISTICS

Impedance	50 Ω
Frequency	0-50 GHz
VSWR	1.05 + 0.0040 x F(GHz) Maxi
Insertion loss	0.04 √F(GHz) dB Maxi
RF leakage	- (100* - F(GHz)) dB Maxi
Voltage rating	250 Veff Maxi
Dielectric withstanding voltage	500 Veff mini
Insulation resistance	5000 MΩ mini

ENVIRONMENTAL

Operating temperature	-65/+165 ° C
Hermetic seal	NA Atm.cm3/s
Panel leakage	NA

OTHER CHARACTERISTICS

Assembly instruction

Others :

*RF leakage at 1 GHz

MECHANICAL CHARACTERISTICS

Center contact retention	
Axial force – Mating end	27 N mini
Axial force – Opposite end	27 N mini
Torque	NA N.cm mini
Recommended torque	
Mating	NA N.cm
Panel nut	NA N.cm
Mating life	500 Cycles mini
Weight	0.5600 g

Issue : 1351 B

In the effort to improve our products, we reserve the right to make changes judged to be necessary.

RADIALL 