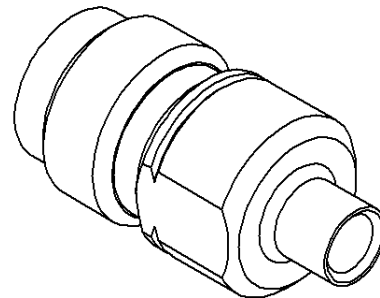
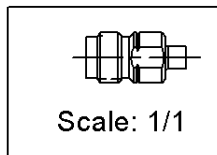
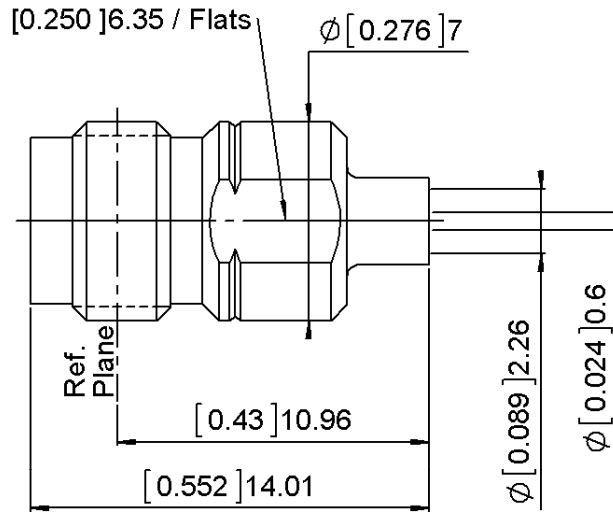
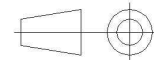


PAGE 1/2	ISSUE 1351 A	SERIES 2.4MM	PART NUMBER R327222200
----------	--------------	--------------	-------------------------------



All dimensions are in mm.



COMPONENTS	MATERIALS	PLATING (µm)
Body	BERYLLIUM COPPER	GOLD 0.8 OVER COPPER 2.5
Center contact	BERYLLIUM COPPER	GOLD 1.3 OVER NICKEL2
Outer contact	BRASS.	GOLD 0.8 OVER COPPER 2.5
Insulator	PEEK	
Gasket		
Others parts		
-	-	
-	-	

PAGE 2/2	ISSUE 1351 A	SERIES 2.4MM	PART NUMBER R327222200
----------	--------------	--------------	------------------------

PACKAGING

Standard	Unit	Other
1	Contact us	Contact us

ELECTRICAL CHARACTERISTICS

Impedance		50	Ω
Frequency		0-50	GHz
VSWR	1.05 +	0.0030	x F(GHz) Maxi
Insertion loss		0.04	√F(GHz) dB Maxi
RF leakage	- (100*	- F(GHz) dB Maxi
Voltage rating		250	Veff Maxi
Dielectric withstanding voltage		500	Veff mini
Insulation resistance		5000	MΩ mini

MECHANICAL CHARACTERISTICS

Center contact retention			
Axial force – Mating End	27	N mini	
Axial force – Opposite end	27	N mini	
Torque	NA	N.cm mini	

Recommended torque			
Mating	NA	N.cm	
Panel nut	NA	N.cm	
Clamp nut	NA	N.cm	
A/F clamp nut	0.0000	mm	

Mating life	500	Cycles mini
Weight	2.6600	g

ENVIRONMENTAL

Operating temperature	-65/+165	°C
Hermetic seal	NA	Atm.cm3/s
Panel leakage	NA	

SPECIFICATION

CABLE ASSEMBLY

Stripping	a	b	c	d	e	f
mm	0	0	0	0	0	0

Assembly instruction: **AIS-414-B**

Recommended cable(s)

Characteristics indicated on this data sheet are those that can be achieved with the highest performance cable. Intrinsic limitations of the cable may diminish the performance of the assembly

Cable retention

- pull off	130	N mini
- torque	NA	N.cm

TOOLING

Part Number	Description	Hexagon
.	.	.

OTHER CHARACTERISTICS

*RF leakage at 1 GHz