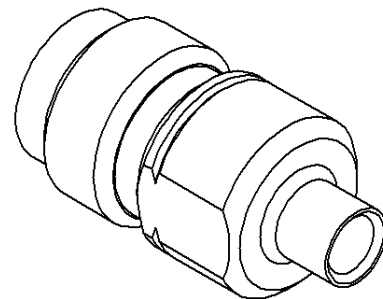
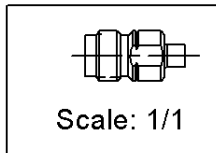
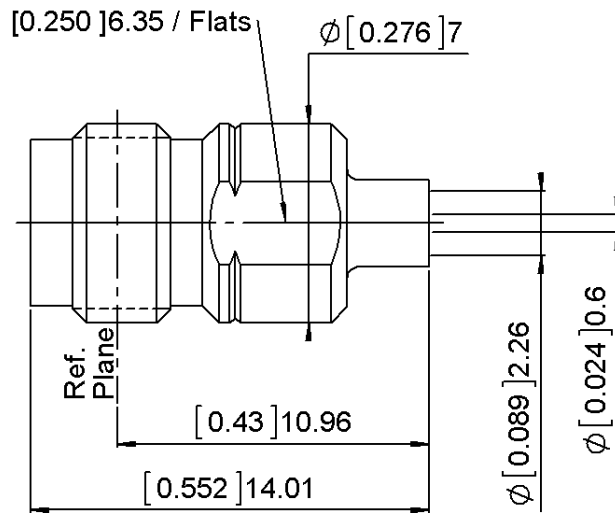


STRAIGHT JACK SOLDER TYPE CAPTIVE CONT.

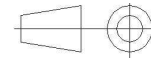
R327.222.000

CABLE .085

Series : **2.4MM**



All dimensions are in mm.



COMPONENTS	MATERIALS	PLATING (µm)
BODY	BERYLLIUM COPPER	GOLD 0.8 OVER COPPER 2.5
CENTER CONTACT	BERYLLIUM COPPER	GOLD 1.3 OVER NICKEL 2
OUTER CONTACT	BRASS.	GOLD 0.8 OVER COPPER 2.5
INSULATOR	PEEK	
GASKET		
OTHERS PARTS		
-	-	-
-	-	-

Issue : 1351 A

In the effort to improve our products, we reserve the right to make changes judged to be necessary.



STRAIGHT JACK SOLDER TYPE CAPTIVE CONT.

R327.222.000

CABLE .085

Series : **2.4MM**

PACKAGING

Standard	Unit	Other
1	'W' option	Contact us

SPECIFICATION

ELECTRICAL CHARACTERISTICS

Impedance	50	Ω
Frequency	0-50	GHz
VSWR	1.05* + 0.0050	x F(GHz) Maxi
Insertion loss	0.04	\sqrt{F} (GHz) dB Maxi
RF leakage	- (100**)	- F(GHz)) dB Maxi
Voltage rating	250	Veff Maxi
Dielectric withstanding voltage	500	Veff mini
Insulation resistance	5000	M Ω mini

CABLE ASSEMBLY

Stripping	a	b	c	d	e	f
mm	0.00	0.00	0.00	0.00	0.00	0.00

Assembly instruction : **AIS-414-B**

Recommended cable(s)
 BELN 1671A
 KS 1
 RG 405

MECHANICAL CHARACTERISTICS

Center contact retention		
Axial force – Mating end	27	N mini
Axial force – Opposite end	27	N mini
Torque	NA	N.cm mini

Characteristics indicated on this data sheet are those that can be achieved with the highest performance cable. Intrinsic limitations of the cable may diminish the performance of the assembly

Cable retention

- pull off	130	N mini
- torque	NA	N.cm

TOOLING

Recommended torque		
Mating	NA	N.cm
Panel nut	NA	N.cm
Clamp nut	NA	N.cm
A/F clamp nut	0.0000	mm

Part Number	Description	Hexagon
.	.	.

OTHER CHARACTERISTICS

Mating life	500	Cycles mini
Weight	2.6600	g

*VSWR up to 30GHz
 **RF leakage at 1 GHz

ENVIRONMENTAL

Operating temperature	-65/+165	$^{\circ}$ C
Hermetic seal	NA	Atm.cm3/s
Panel leakage	NA	

Issue : **1351 A**

In the effort to improve our products, we reserve the right to make changes judged to be necessary.

