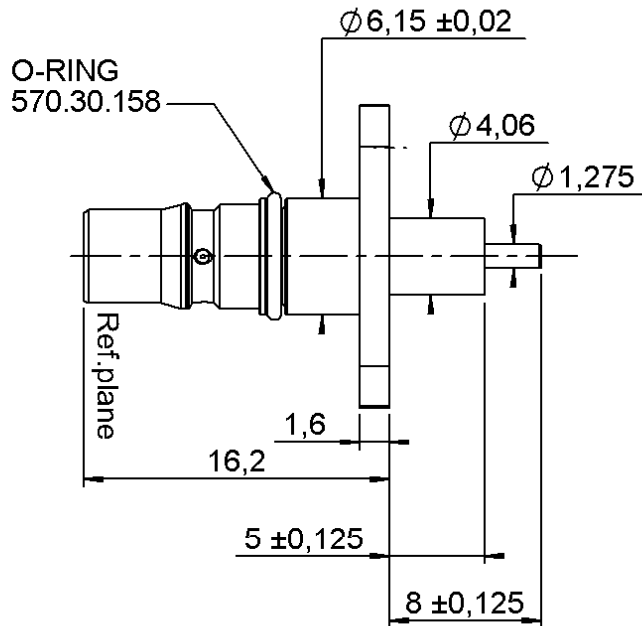
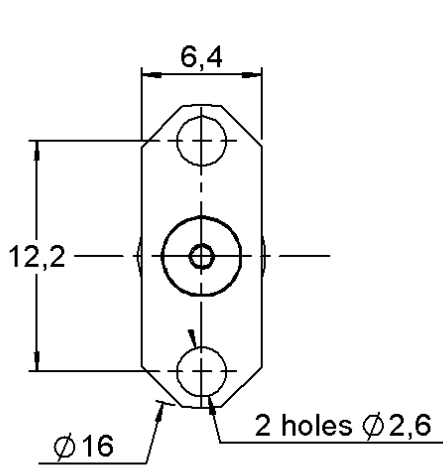


2 HOLES FLANGE JACK RECEPTACLE

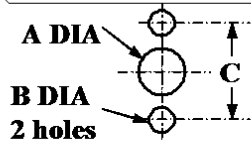
R324.474.L00

CAPACITY PROBE S BAND

Series : QRE

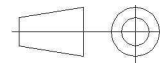
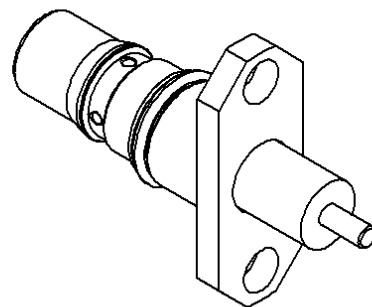
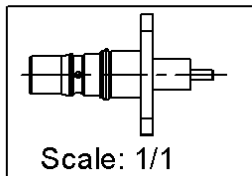


PANEL CUT OUT



	mm	
	Maxi	mini
A	4.2	4.1
B	2.65	2.6
C	12.25	12.15

ASPECT MAT
MAT ASPECT



All dimensions are in mm.

COMPONENTS	MATERIALS	PLATING (µm)
BODY	STAINLESS STEEL (316L)	-
CENTER CONTACT	BERYLLIUM COPPER	GOLD 2.5 OVER NICKEL 2
OUTER CONTACT	-	-
INSULATOR	PTFE	-
GASKET	FLUOROSILICON	-
OTHERS PARTS	-	-
-	-	-
-	-	-

Issue : 1139 A

In the effort to improve our products, we reserve the right to make changes judged to be necessary.



2 HOLES FLANGE JACK RECEPTACLE

R324.474.L00

CAPACITY PROBE S BAND

Series : QRE

PACKAGING

SPECIFICATION

Standard	Unit	Other
100	'W' option	Contact us

ELECTRICAL CHARACTERISTICS

ENVIRONMENTAL

Impedance	50	Ω
Frequency	0-12.4	GHz
VSWR	*1.08 + 0,0100	x F(GHz) Maxi
Insertion loss	0.05	\sqrt{F} (GHz) dB Maxi
RF leakage	- (**)	- F(GHz) dB Maxi
Voltage rating	***495	Veff Maxi
Dielectric withstanding voltage	1000	Veff mini
Insulation resistance	5000	M Ω mini

Operating temperature	-55/+165	$^{\circ}$ C
Hermetic seal	NA	Atm.cm3/s
Panel leakage	NA	

OTHER CHARACTERISTICS

Assembly instruction **NA**

Others :

- *Coaxial transmission line only
- ** RF leakage: 95 @ 3GHz / 80 @ 12.4GHz
- *** Working voltage at sea level

MECHANICAL CHARACTERISTICS

For information :

_O-ring gasket must be changed after 50 mating cycles

Center contact retention		
Axial force – Mating end	27	N mini
Axial force – Opposite end	27	N mini
Torque	2.8	N.cm mini

Recommended torque		
Mating	NA	N.cm
Panel nut	NA	N.cm

Mating life	500	Cycles mini
Weight	2,8400	g

Issue : 1139 A

In the effort to improve our products, we reserve the right to make changes judged to be necessary.

