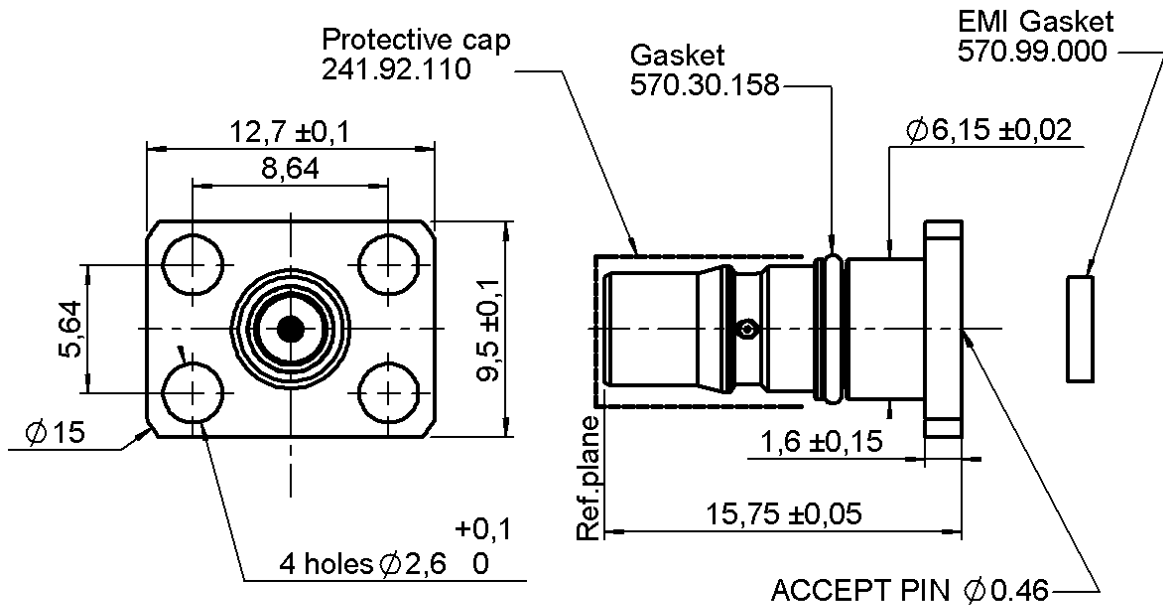


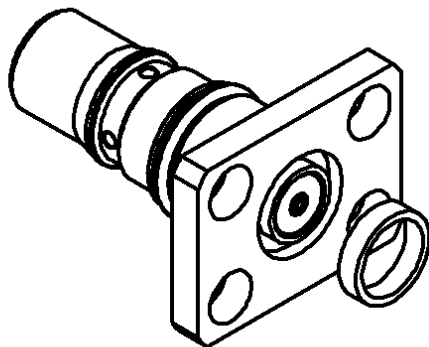
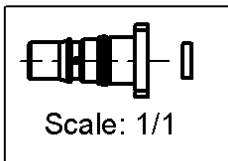
**RECTANGULAR FLANGE RECEPTACLE
FOR PIN 0.46MM WITH EMI GASKET**

R324.434.L01

Series : QRE



ASPECT MAT
MAT ASPECT



All dimensions are in mm.



COMPONENTS	MATERIALS	PLATING (µm)
BODY	STAINLESS STEEL (316L)	PASSIVATED .
CENTER CONTACT	BERYLLIUM COPPER	GOLD 2.5 OVER NICKEL 2
OUTER CONTACT	-	-
INSULATOR	PTFE	-
GASKET	FLUOROSILICON	-
OTHERS PARTS	SILICONE CuAg(conductor)	-
-	-	-
-	-	-

Issue : 0647 A

In the effort to improve our products, we reserve the right to make changes judged to be necessary.



**RECTANGULAR FLANGE RECEPTACLE
FOR PIN 0.46MM WITH EMI GASKET**

R324.434.L01

Series : **QRE**

PACKAGING

SPECIFICATION

Standard	Unit	Other
100	'W' option	Contact us

ELECTRICAL CHARACTERISTICS

Impedance	50	Ω
Frequency	0-12.4	GHz
VSWR	*1.02 + 0,0050	x F(GHz) Maxi
Insertion loss	0.07	\sqrt{F} (GHz) dB Maxi
RF leakage	- (**)	- F(GHz) dB Maxi
Voltage rating	***495	Veff Maxi
Dielectric withstanding voltage	1000	Veff mini
Insulation resistance	5000	M Ω mini

ENVIRONMENTAL

Operating temperature	-55/+165	$^{\circ}$ C
Hermetic seal	NA	Atm.cm3/s
Panel leakage	NA	

OTHER CHARACTERISTICS

Assembly instruction **NA**

Others :

- *Coaxial transmission line only
- ** RF leakage: 95 @ 3GHz / 80 @ 12.4GHz
- *** Working voltage at sea level

For information :

_O-ring gasket must be changed after 50 mating cycles

MECHANICAL CHARACTERISTICS

Center contact retention		
Axial force – Mating end	27	N mini
Axial force – Opposite end	27	N mini
Torque	2.8	N.cm mini

Recommended torque

Mating	NA	N.cm
Panel nut	NA	N.cm

Mating life	100	Cycles mini
Weight	2,7500	g

Issue : 0647 A

In the effort to improve our products, we reserve the right to make changes judged to be necessary.

