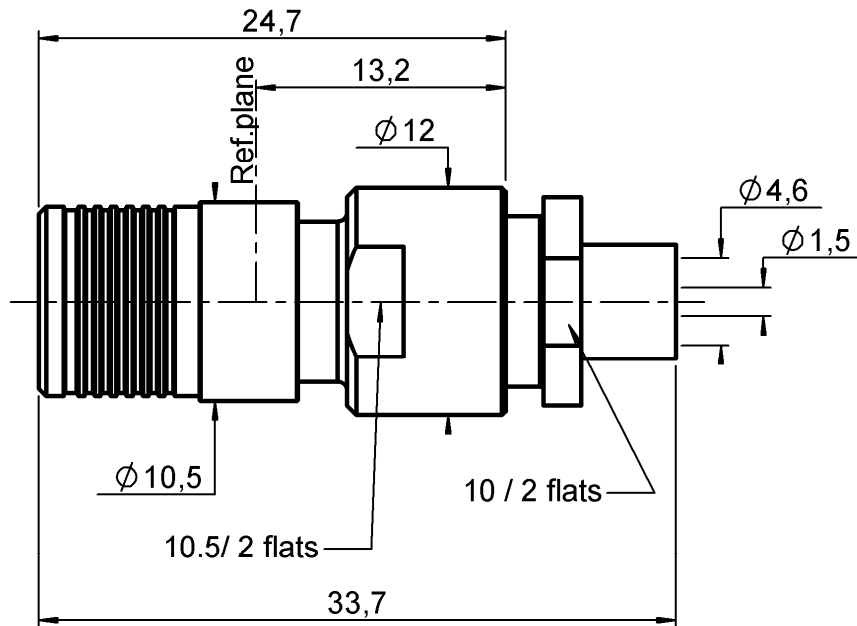


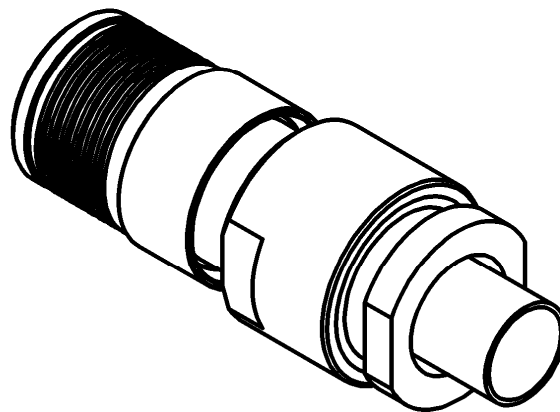
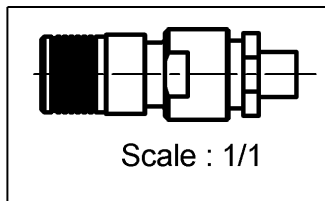
STRAIGHT PLUG SOLDER TYPE
CABLE SHF5MAF-2 QUICK LOCK MIL

R324.065.L02

Series : QRE



ASPECT MAT
 MAT ASPECT



All dimensions are in mm.



COMPONENTS	MATERIALS	PLATING (µm)
BODY	STAINLESS STEEL (316L)	PASSIVATION
CENTER CONTACT	BERYLLIUM COPPER	GOLD 2.5 OVER NICKEL 2
OUTER CONTACT	BERYLLIUM COPPER	NPGR
INSULATOR	PTFE	
GASKET	FLUOROSILICON	
OTHERS PARTS	ST. STEEL (316L) , BRASS	GOLD , PASSIVATED
-	-	-
-	-	-

Issue : 0951 A

In the effort to improve our products, we reserve the right to make changes judged to be necessary.



STRAIGHT PLUG SOLDER TYPE
CABLE SHF5MAF-2 QUICK LOCK MIL

R324.065.L02

Series : QRE

PACKAGING

Standard	Unit	Other
100	'W' option	Contact us

SPECIFICATION

ELECTRICAL CHARACTERISTICS

Impedance		50 Ω
Frequency		DC-12 GHz
VSWR	1.035 +	0,0150 x F(GHz) Maxi
Insertion loss		0.12 √F(GHz) dB Maxi
RF leakage	- (* - F(GHz)) dB Maxi
Voltage rating		335 Veff Maxi
Dielectric withstanding voltage		1000 Veff mini
Insulation resistance		5000 MΩ mini

CABLE ASSEMBLY

Stripping	a	b	c	d	e	f
mm	0,00	0,00	0,00	0,00	0,00	0,00

Assembly instruction :

Recommended cable(s)

SHF5MAF-2

SHF5M

SHF5LI

Characteristics indicated on this data sheet are those that can be achieved with the highest performance cable. Intrinsic limitations of the cable may diminish the performance of the assembly

Cable retention

- pull off	*** N mini
- torque	NA N.cm

MECHANICAL CHARACTERISTICS

Center contact retention		
Axial force – Mating end	27	N mini
Axial force – Opposite end	27	N mini
Torque		N.cm mini

TOOLING

Part Number	Description	Hexagon
.	.	.

Recommended torque		
Mating	NA	N.cm
Panel nut	NA	N.cm
Clamp nut	350	N.cm
A/F clamp nut	10,000	mm

OTHER CHARACTERISTICS

*RF leakage : 95 @ 3GHz / 80 @ 12.4GHz

*** See the TDS cable assembly

ENVIRONMENTAL

Operating temperature	-55/+85	° C
Hermetic seal	NA	Atm.cm3/s
Panel leakage	NA	

Issue : 0951 A

In the effort to improve our products, we reserve the right to make changes judged to be necessary.

RADIALL 