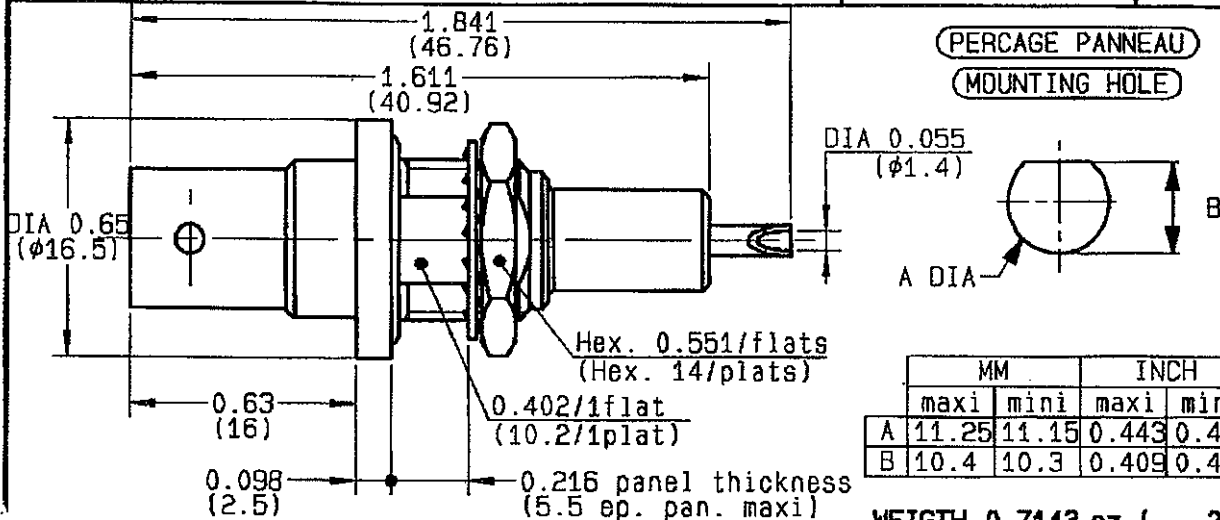


BULKHEAD RECEPTACLE WATERPROOF



	MM		INCH	
	maxi	mini	maxi	mini
A	11.25	11.15	0.443	0.44
B	10.4	10.3	0.409	0.406

WEIGHT 0.7143 oz ( 20 g)

CHARACTERISTICS

NOMINAL IMPEDANCE	50 Ω
FREQUENCY RANGE	0-2 GHz
TEMPERATURE RATING	-65/+165 °C
VSWR	1.2 + .3 x F(GHz)Maxi
RF INSERTION LOSS	AD√F(GHz) dB Maxi
VOLTAGE RATING	6500 Vrms Max
DIELECTRIC WITHSTANDING VOLTAGE	10000 Vrms min
INSULATION RESISTANCE	5000 MΩ.min
HERMETIC SEAL	- cc/s NA Atm.cm3/s
LEAKAGE (pressurized only)	- psi AD MPa
RF LEAKAGE	-55 dB at 2 GHz

STANDARDISATION

STANDARDISATION	-	-
CABLE RETENTION	-	lb min N
CENTER CONTACT RETENTION	-	lb min N
Axial force - mating end	5.95 27	lb min N
Axial force - opposite end	5.95 27	lb min N
Torque (Min)	-	Inch.oz cm.N
RECOMMENDED TORQUES	-	inch.lb cm.N
Mating	-	inch.lb cm.N
Panel nut	27.75 320	inch.lb cm.N
Clamp nut	-	inch.lb cm.N

CONSTRUCTION

CONNECTOR PARTS	MATERIALS	FINISH
BODY	BRASS	NICKEL
OUTER CONTACT	BRASS	NICKEL
CENTER CONTACT	BRASS	GOLD
INSULATOR	PTFE	-
-	-	-
-	-	-
-	-	-
-	-	-
-	-	-

ISSUE	REVISION No	DESCRIPTION	BY	DATE

Initiated on 20/01/93  
Superseded on - - -

The information given here is subject to change without notice. Design changes may be in order to improve the product.

