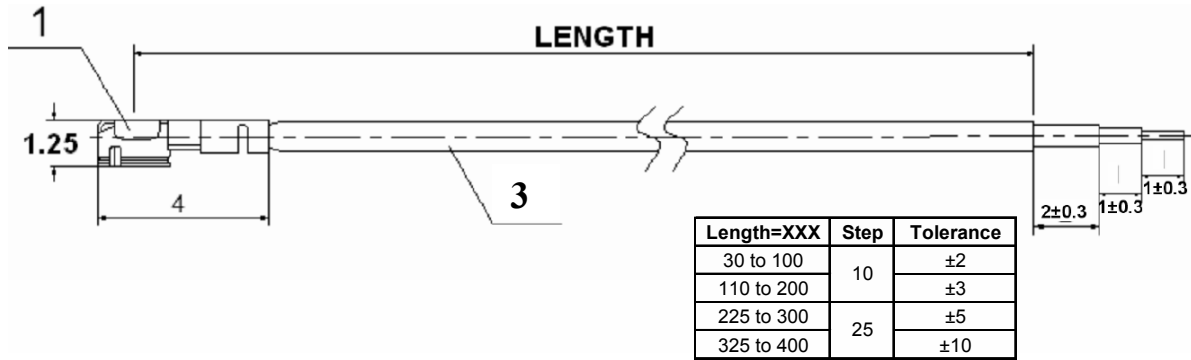


**PLUG MML H1.5 PIGTAIL**

**R302.155.000 XXX**

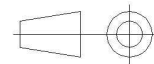
**CABLE 0.81/50S-BR,LENGTH=XXXMM**

Series : MML



E.g. XXX=070 means length is 70±2, the part number is R302.155.000 070

All dimensions are in mm



- \* 1 \* Connector A : **MML H1.5 PLUG(GOLD PLATED)**
- \* 2 \* Connector B : **NA**
- \* 3 \* Cable : **0.81/50 S BLACK**

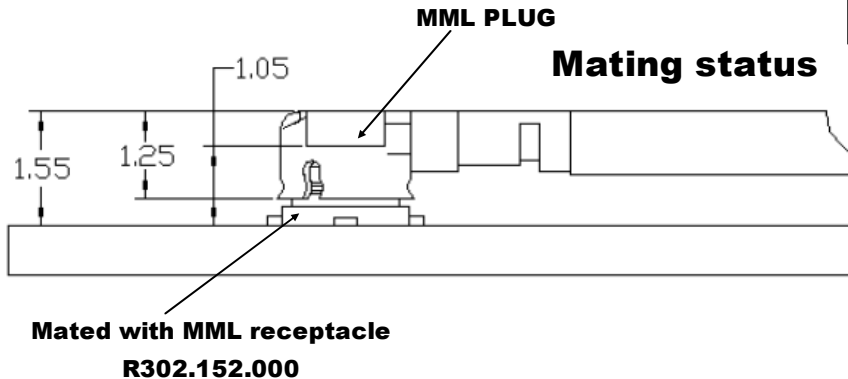
**ELECTRICAL CHARACTERISTICS**

Impedance	<b>50 Ω</b>
Frequency	<b>0-6 GHz</b>
Operating temperature	<b>-40/+90 ° C</b>
VSWR	<b>NA + 0.000 x F(GHz) Maxi</b>
Insertion loss	<b>NA √F(GHz) dB Maxi</b>
Voltage rating	<b>NA Veff Maxi</b>
Dielectric withstanding voltage	<b>200 Veff mini</b>
Insulation resistance	<b>500 MΩ mini</b>

**SPECIFICATION**

Weight	<b>0.7000* g</b>
Cable retention	<b>4 N mini</b>
Mating life:	<b>30 Cycles</b>
Others :	

Length	*Weight(Maxi)
30 to 100	0.7 g
110 to 200	1.3 g
225 to 300	2 g
325 to 400	2.7 g



Edition : 1308 A

Design changes may be in order to improve the product.

*This document contains proprietary information and such information shall not be disclosed to any third party for any purpose whatsoever or used for manufacturing purposes without prior written agreement from RADIALL*

