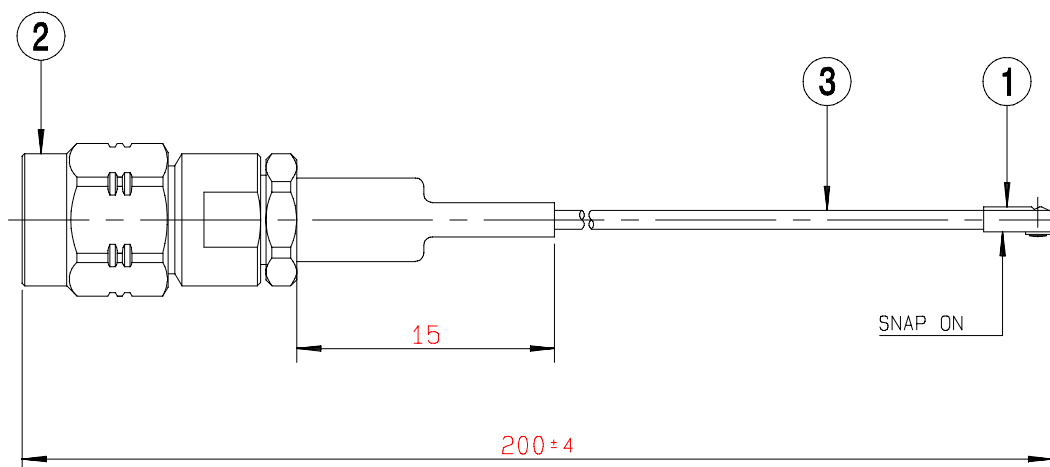


MALE SMA-MALE UMP

R285.025.212

CABLE 1/50 S-BR LENGHT: 20 CM

Series : **CORD-STD**



- * 1 * Connector A : **R107.011.000**
 - * 2 * Connector B : **R124.086.020**
 - * 3 * Cable : **C291.050.066**
- Type : **CAB 1/55 - 50 VMTX - BLANC**

ELECTRICAL CHARACTERISTICS

Impedance	50 Ω
Frequency	0-3 GHz
Operating temperature	-40/+90 ° C
VSWR	NA + 0.000 x F(GHz) Maxi
Insertion loss	NA √F(GHz) dB Maxi
Voltage rating	100 Veff Maxi
Dielectric withstanding voltage	350 Veff mini
Insulation resistance	1000 MΩ mini

SPECIFICATION

Weight	0.000 g
Cable retention	20 N mini
Others :	



Edition : 0301 A

Design changes may be in order to improve the product.