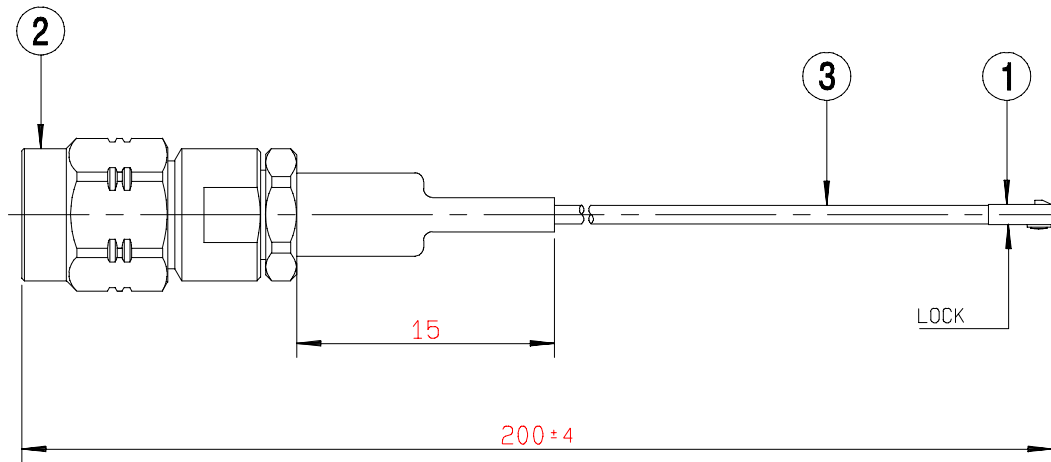


MALE SMA-UMP HIGHT 2 LOCK

R285.025.202

20 CM CABLE 1/50 S-BR

Series : **CORD-STD**



PACKAGING

Standard	Unit	Other
20	'W' option	Contact us

- * 1 * Connector A : **R107.001.000**
 - * 2 * Connector B : **R124.086.020**
 - * 3 * Cable : **C291.050.066**
- Type : **CAB 1/55 - 50 VMTX - BLANC**

ELECTRICAL CHARACTERISTICS

Impedance	50 Ω
Frequency	0-3 GHz
Operating temperature	-40/+90 ° C
VSWR	TBD + 0.000 x F(GHz) Maxi
Insertion loss	TBD √F(GHz) dB Maxi
Voltage rating	100 Veff Maxi
Dielectric withstanding voltage	350 Veff mini
Insulation resistance	1000 MΩ mini

SPECIFICATION

Weight	5.550 g
Cable retention	20 N mini
Others :	

