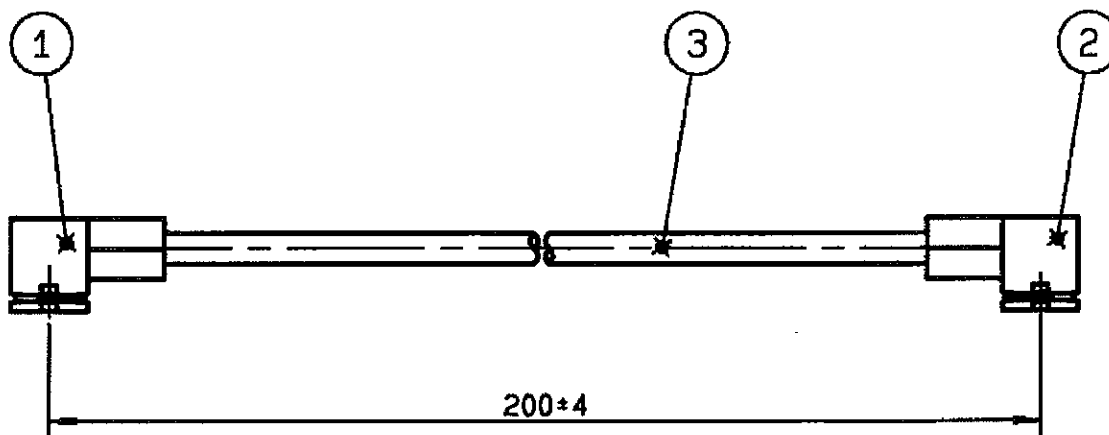


RIGHT ANGLE FEM MMT -RIGHT ANGLE FEM MMT

R285.011.221

2/50 S-BR CABLE - 200mm

Series : CORD-STD



- * 1 * Connector A : R210.160.020
 - * 2 * Connector B : R210.160.020
 - * 3 * Cable : C291.145.007
- Type : **CAB HF 2/50 RG 178 MARRON**

ELECTRICAL CHARACTERISTICS

Impedance	50 Ω
Frequency	0-8 GHz
Operating temperature	-40/+80 ° C
VSWR	AD + 0.000 x F(GHz) Maxi
Insertion loss	AD √F(GHz) dB Maxi
Voltage rating	170 Veff Maxi
Dielectric withstanding voltage	500 Veff mini
Insulation resistance	5000 MΩ mini

SPECIFICATION

Weight	2.910 g
Cable retention	20 N mini
Others :	-



Edition :0743C

Design changes may be in order to improve the product.