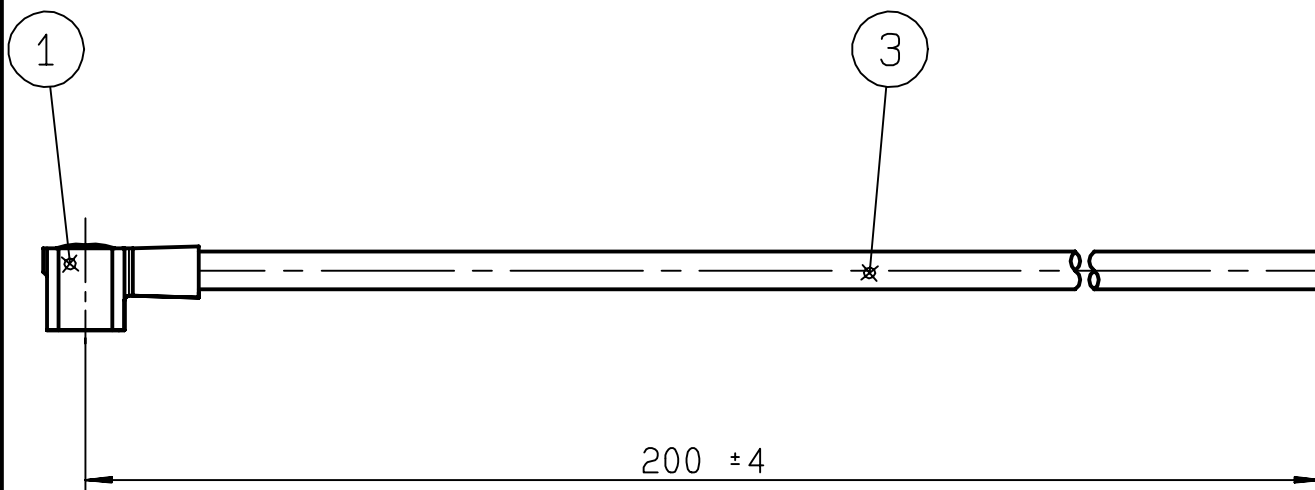


**RIGHT ANGLE MALE MMS - 200 MM
1/50 S-BR CABLE**

R285.001.001
SERIES CORD-SPECIF



1 Connector A : **R209.351.020**
 2 Connector B :
 3 Cable : **C291.050.066**
 Type : **CAB 1/55 - 50 VMTX - WHITE**

NOMINAL IMPEDANCE **50** Ω
 FREQUENCY RANGE **0-6** GHz
 TEMPERATURE RATING **-40/+90** °C
 V.S.W.R **NA** + x F(GHz)Maxi
 RF INSERTION LOSS **NA** \sqrt{F} (GHz) dB Maxi
 VOLTAGE RATING **50** Veff Maxi
 DIELECTRIC WITHSTANDING VOLTAGE **250** Veff Mini
 INSULATION RESISTANCE **500** M Ω Mini

WEIGHT **.9** gr
 CABLE RETENTION **15** N Mini

OTHERS CHARACTERISTICS

SPECIFICATION

ISSUE 9948A00	CREATION DATE 23/10/1997	FILE PART-NUMBER 97-1200-014
-------------------------	------------------------------------	--



Connect to the future