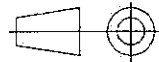
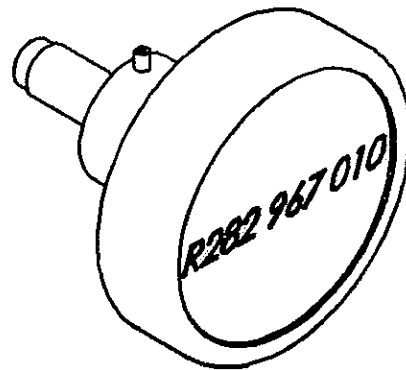
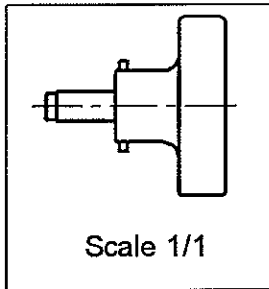
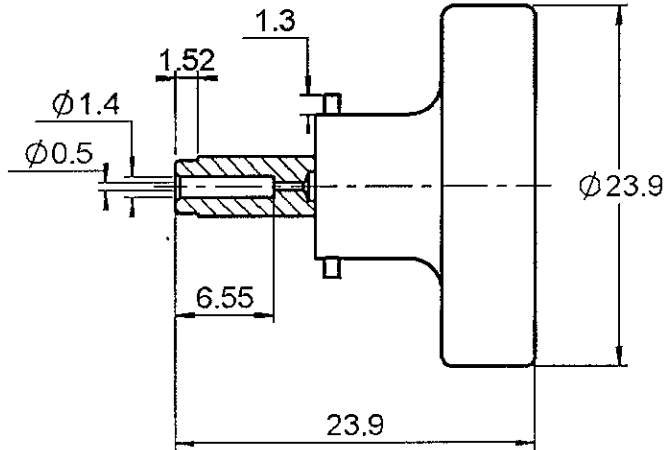


POSITIONER FOR CRIMPING TOOL R282281

R282.967.010

Series : OUT



Issue : 0050 B

In the effort to improve our products, we reserve the right to make changes judged to be necessary.

