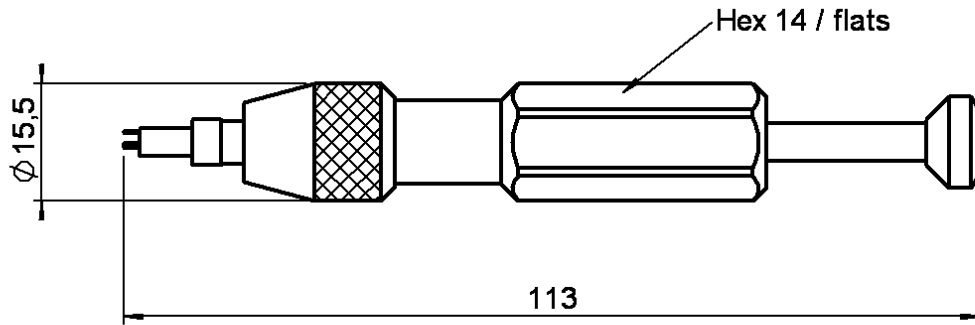


**EXTRACTOR MCC2 FEMALE**

**R282.920.100**

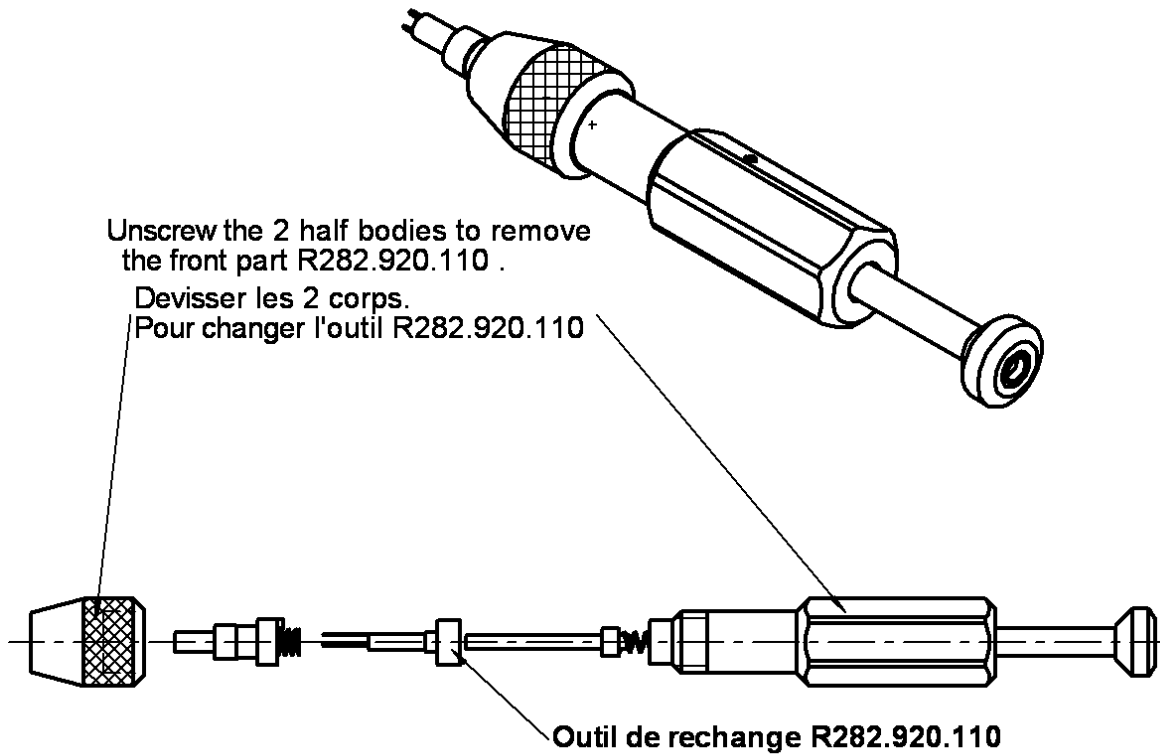
Series : **OUT**



Unscrew the 2 half bodies to remove the front part R282.920.110 .

Devisser les 2 corps.

Pour changer l'outil R282.920.110



**Outil de rechange R282.920.110**

BODY TOOL : ALUMINIUM ALLOY + BLACK ANODISATION



Issue : 0115 F

In the effort to improve our products, we reserve the right to make changes judged to be necessary.



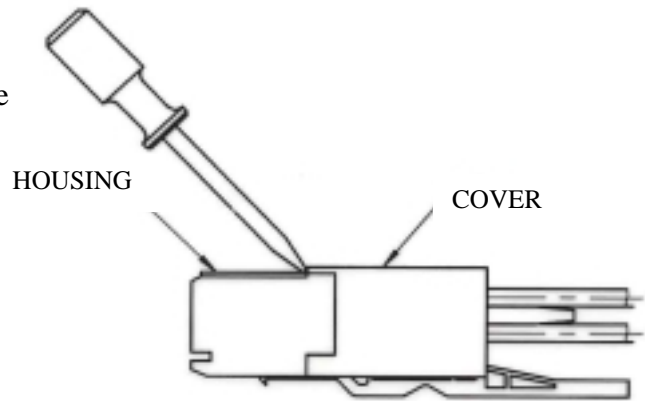
**EXTRACTOR MCC2 FEMALE**

**R282.920.100**

Series : **OUT**

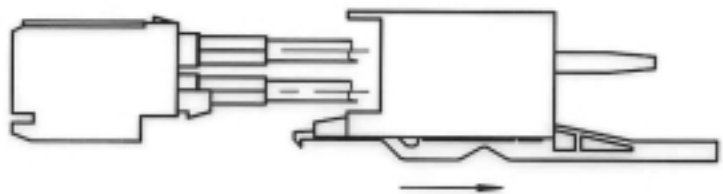
**1**

Use a screw-driver to remove the cover from the housing as shown .



**2**

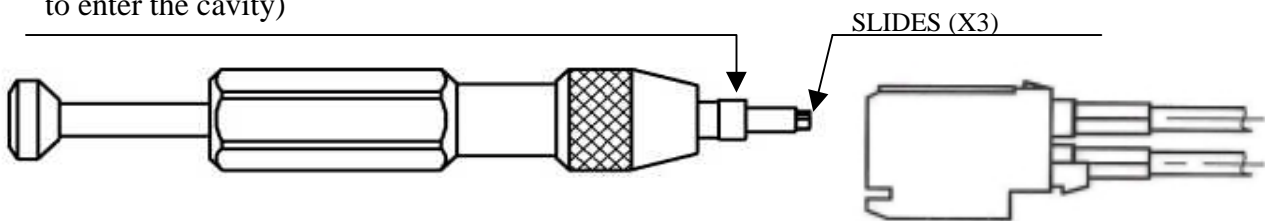
Slide the cover along the cable



**3**

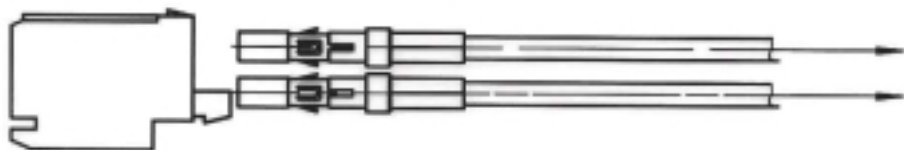
Place the extraction tool with the marker point facing up (as shown) and push in axial direction into the housing till it stops , then push gently on the black knob , this will push the contact out from the rear of the housing .

Marker point on the top (this will position the 3 slides to enter the cavity)



**4**

Remove the connectors from the housing



**Issue : 0115 F**

In the effort to improve our products, we reserve the right to make changes judged to be necessary.

