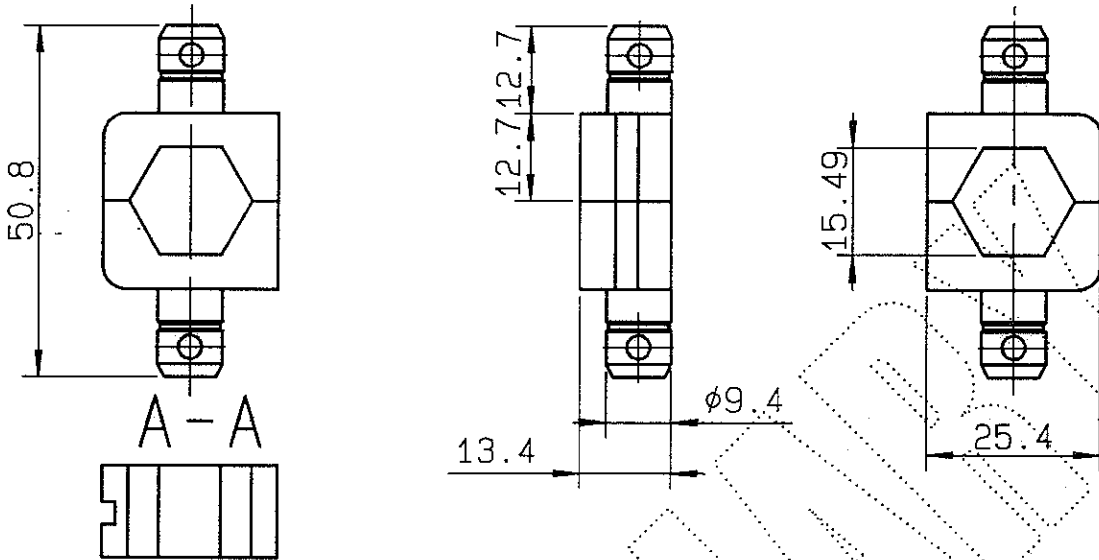


**CRIMPING DIES  
HEXAGON 0.609 .**

**R282.235.166**

**SERIES**

**N**



NOMINAL IMPEDANCE	$\Omega$	CABLES	
FREQUENCY RANGE	GHz		
TEMPERATURE RATING	$^{\circ}\text{C}$		
V.S.W.R	+ x.F.(GHz)Maxi		
RF INSERTION LOSS	$\sqrt{F}(\text{GHz}) \text{ dB} \cdot \text{Maxi}$		
VOLTAGE RATING	$V_{\text{eff}} \text{ Maxi}$		
DIELECTRIC WITHSTANDING VOLTAGE	$V_{\text{eff}} \text{ Mini}$		
INSULATION RESISTANCE	$M \Omega \text{ Mini}$	OTHERS CHARACTERISTICS	
HERMETIC SEAL	$\text{Atm. cm}^3/\text{s}$		<b>hexagone 15.49 (0.609) /plats</b>
LEAKAGE (pressurized only)		CABLE RETENTION	N Mini
MECHANICAL DURABILITY	Cycles	CENTER CONTACT RETENTION	
WEIGHT	gr	Axial force - mating end	N Mini
SPECIFICATION		Axial force - opposite end	N Mini
		Torque	cm.N Mini
		RECOMMENDED TORQUES	
		Mating	cm.N
		Panel nut	cm.N
		Clamp nut	cm.N

CONNECTOR PARTS	MATERIALS	FINISH	(all values are given ) in micrometers
BODY			
OUTER CONTACT			
CENTER CONTACT			
INSULATOR			
GASKET			
OTHERS PIECES			

ISSUE	CREATION DATE	FILE PART-NUMBER
9715A00	18-FEB-97	EPC 96-07



The information given here is subject to change without notice.  
Design changes may be in order to improve the product .

*Connect to the future*