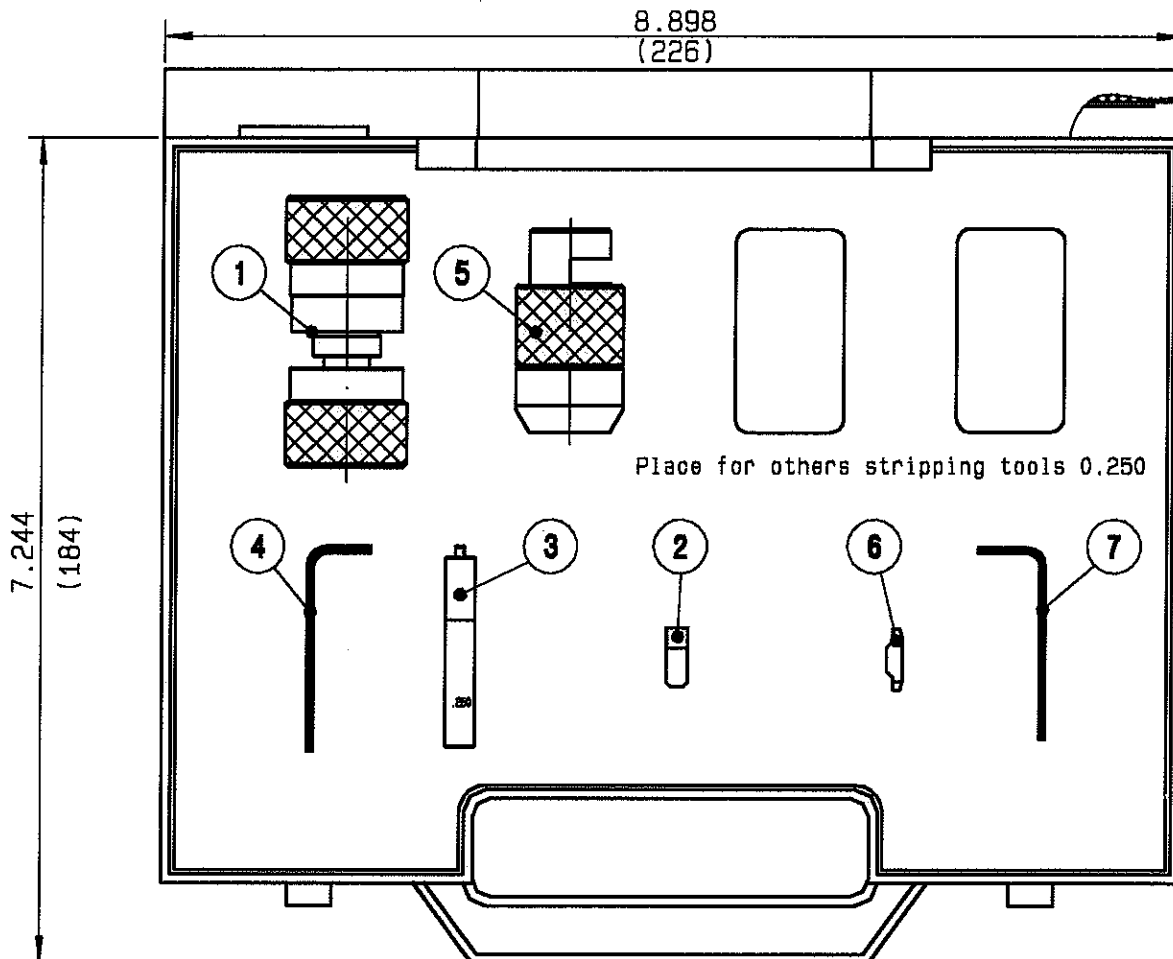


TOOLBOX
STRIPPING TOOL + CONING TOOL 0.250 - 0.177

Series : TOOLING

- / 1

REFONTE N



All dimensions are inches
Except (mm)

NOMENCLATURE

- 1 - R 282 054 Stripping tool 0.250
- 2 - R 282 055 Replacement stripping blade
- 3 - R 282 864 140 Blade installation gauge 0.250
- 4 - R 282 344 150 0.059 inch (across flats) male hex key
- 5 - R 282 074 020 Coning and length-setting tool 0.177 long on 0.250
- 6 - R 282 056 250 Replacement coning blade
- 7 - R 282 344 127 0.05 inch (across flats) male hex key

ISSUE	REVISION No	DESCRIPTION	BY	DATE
.
.
.

Initiated on	30/06/94	The information given here is subject to change without notice. Design changes may be in order to improve the product.	R RADIAL [®]
Approval by	BONMINI		

VIGNARD