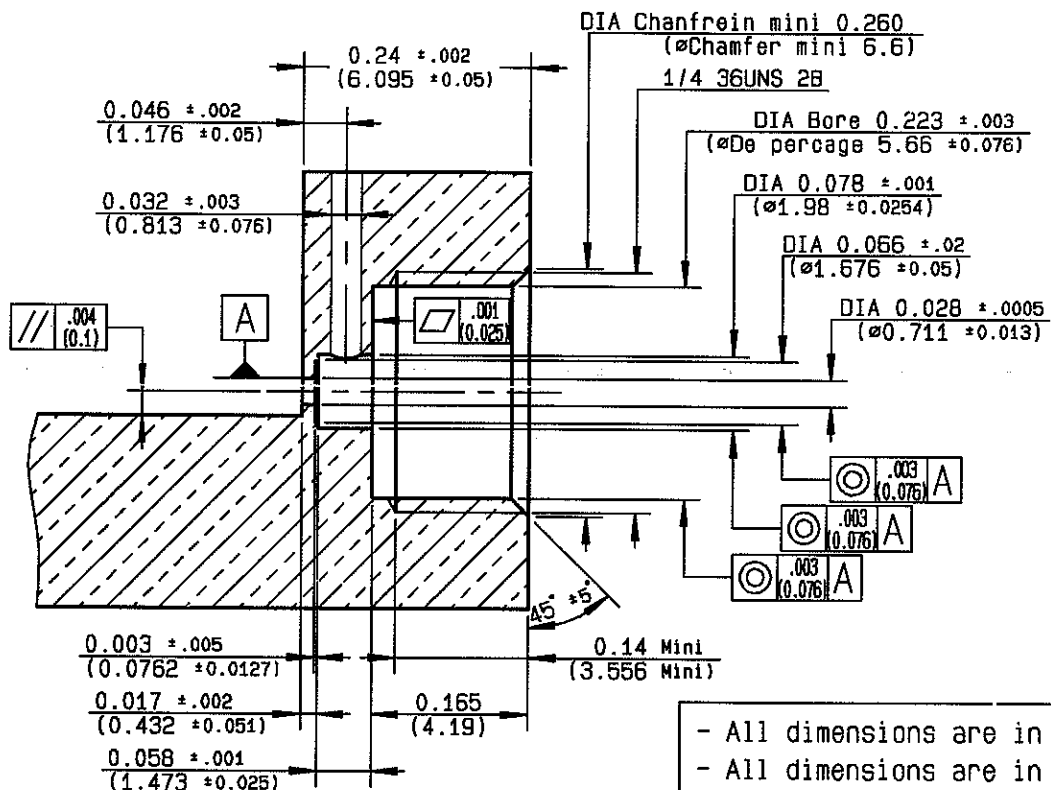


TECHNICAL ADVISES FOR MACHINING

- 1 - This tool is specially designed to drill the glass bead mounting hole into the MIC housing.
SM4 2.9
- 2 - TO obtain the required concentricity and dimensions for the machining of the housings, we recommend the use of precised drilling and tapping tools
Exp. Milling machine - drilling machine with column ...
- 3 - Tool for machining cutting right hand.
- 4 - Possibility to machine two materials : Brass or aluminium alloy.
- 5 - Rotation speed of tool for brass or aluminium alloy: between 1400 and 1600Rot/mm.



- All dimensions are in inches
- All dimensions are in mm ()

ISSUE	REVISION No	DESCRIPTION	BY	DATE

Initiated on 15-09-94
Approval by CONSTANTIN

The information given here is subject to change without notice. Design changes may be in order to improve the product.