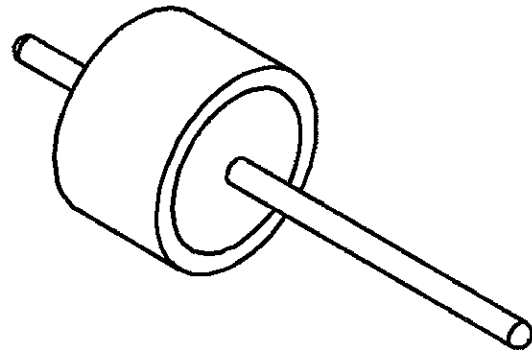
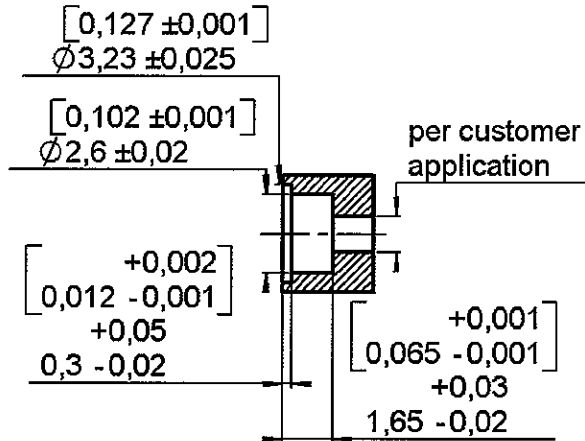
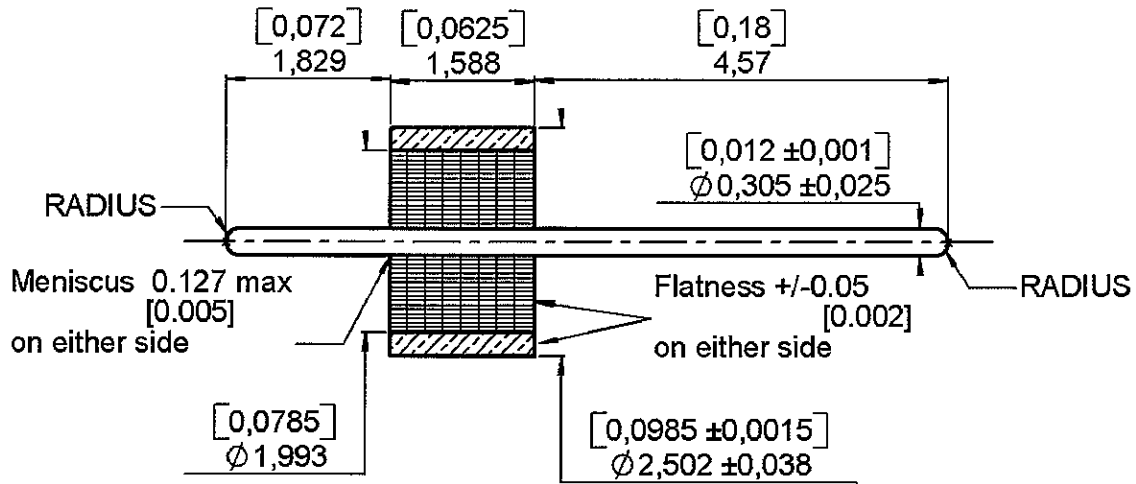


**GLASS BEAD
PACKAGING 100**

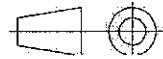
R280.751.070

Series : ACC-COAX



SCALE: 1/1

All dimensions are in mm.



| COMPONENTS | MATERIALS | PLATING (µm) |
|----------------|---------------|--------------|
| BODY | FERRO-NICKEL | GOLD |
| CENTER CONTACT | FERRO-NICKEL | GOLD |
| OUTER CONTACT | - | - |
| INSULATOR | MATCHED GLASS | - |
| GASKET | | |
| OTHERS PARTS | | |

Operating temperature : -65/+200 °C

Weight : 0.133 g

Others characteristics : Impedance: 50 Ohm
Leak rate 1.10^{-8} atm*cm³/s

Issue : 0539 A

In the effort to improve our products, we reserve the right to make changes judged to be necessary.



RADIALL®