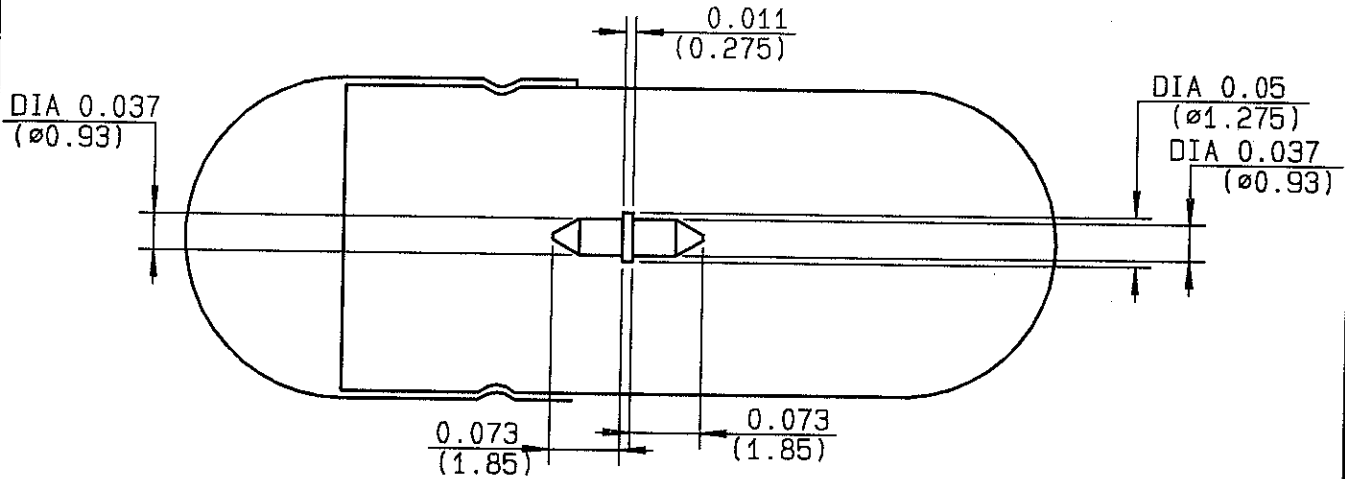


**MALE MALE AMOVABLE CONTACT
PACKAGING PER 10**

R280.464.000
SERIES ACC. COAX



NOMINAL IMPEDANCE	Ω	CABLES :	
FREQUENCY RANGE	GHz		
TEMPERATURE RATING	-65/+165 °C		
V.S.W.R	+ x F(GHz)Maxi		
RF INSERTION LOSS	\sqrt{F} (GHz) dB Maxi		
VOLTAGE RATING	Veff Maxi		
DIELECTRIC WITHSTANDING VOLTAGE	Veff Mini		
INSULATION RESISTANCE	M Ω Mini	OTHERS CHARACTERISTICS	
HERMETIC SEAL	Atm.cm ³ /s	CABLE RETENTION	N Mini
LEAKAGE (pressurized only)	MPa	CENTER CONTACT RETENTION	
MECHANICAL DURABILITY	Cycles	Axial force - mating end	N Mini
WEIGHT	gr	Axial force - opposite end	N Mini
SPECIFICATION		Torque	cm.N Mini
		RECOMMENDED TORQUES	
		Mating	cm.N
		Panel nut	cm.N
		Clamp nut	cm.N

CONNECTOR PARTS	MATERIALS	FINISH	(all values are given in micrometers)
BODY			
OUTER CONTACT			
CENTER CONTACT	BERYLLIUM COPPER	GOLD 2.5 OVER NICKEL 2	
INSULATOR			
GASKET			
OTHERS PIECES			

ISSUE: 9629A1
 CREATION DATE: 25-JUL-85
 FILE PART-NUMBER:



Connect to the future

The information given here is subject to change without notice. Design changes may be in order to improve the product.