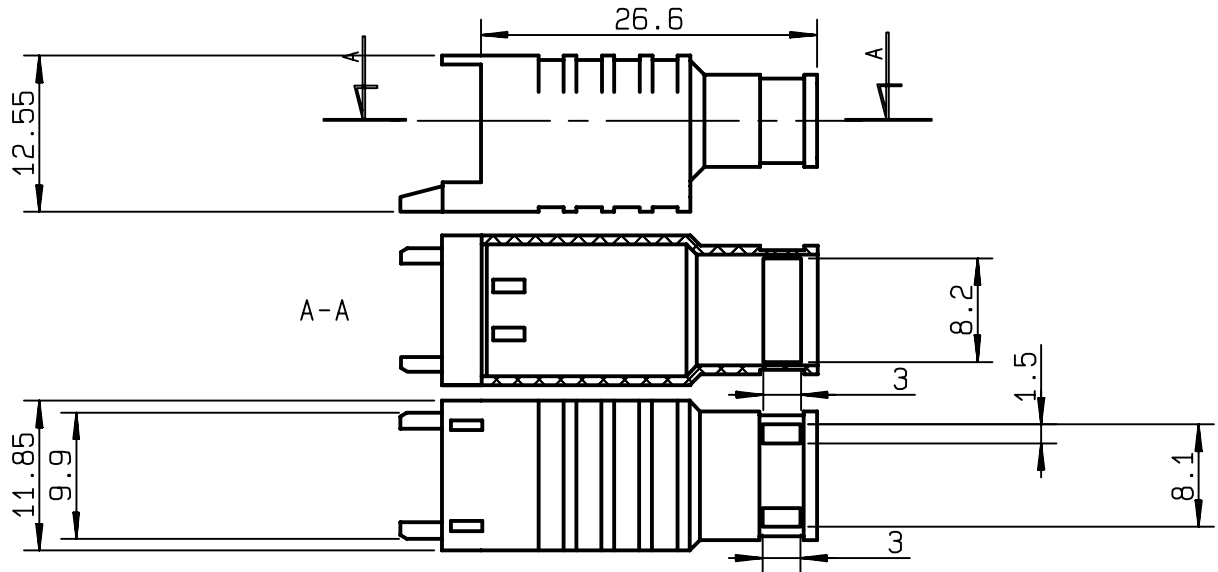


**COVER FOR STRAIGHT FEMALE HOUSING  
FOR CABLE ASSEMBLY**

**R280.420.010**  
**SERIES ACC-COAX**



NOMINAL IMPEDANCE	NA	$\Omega$	CABLES :	
FREQUENCY RANGE	NA	GHz		
TEMPERATURE RATING	-25/+125	$^{\circ}\text{C}$		
V.S.W.R	NA +	x F(GHz)Maxi		
RF INSERTION LOSS	NA	$\sqrt{F}$ (GHz) dB Maxi		
VOLTAGE RATING	NA	Veff Maxi		
DIELECTRIC WITHSTANDING VOLTAGE	NA	Veff Mini		
INSULATION RESISTANCE	NA	M $\Omega$ Mini	OTHERS CHARACTERISTICS	
HERMETIC SEAL	NA	Atm.cm <sup>3</sup> /s	CABLE RETENTION	NA N Mini
LEAKAGE (pressurized only)	NA		CENTER CONTACT RETENTION	
MECHANICAL DURABILITY		Cycles	Axial force - mating end	NA N Mini
WEIGHT	1	gr	Axial force - opposite end	NA N Mini
SPECIFICATION			Torque	NA cm.N Mini
			RECOMMENDED TORQUES	
			Mating	NA cm.N
			Panel nut	NA cm.N
			Clamp nut	NA cm.N

CONNECTOR PARTS	MATERIALS	FINISH	(all values are given ) in micrometers
BODY			
OUTER CONTACT			
CENTER CONTACT			
INSULATOR			
GASKET			
OTHERS PIECES	POLYAMID 6/6 (NYLON)		

ISSUE  
**0234C00**

CREATION DATE  
**06/10/1995**

FILE PART-NUMBER



**RADIALL**<sup>®</sup>

BAFFERT

The information given here is subject to change without notice.  
Design changes may be in order to improve the product .

*Connect to the future*