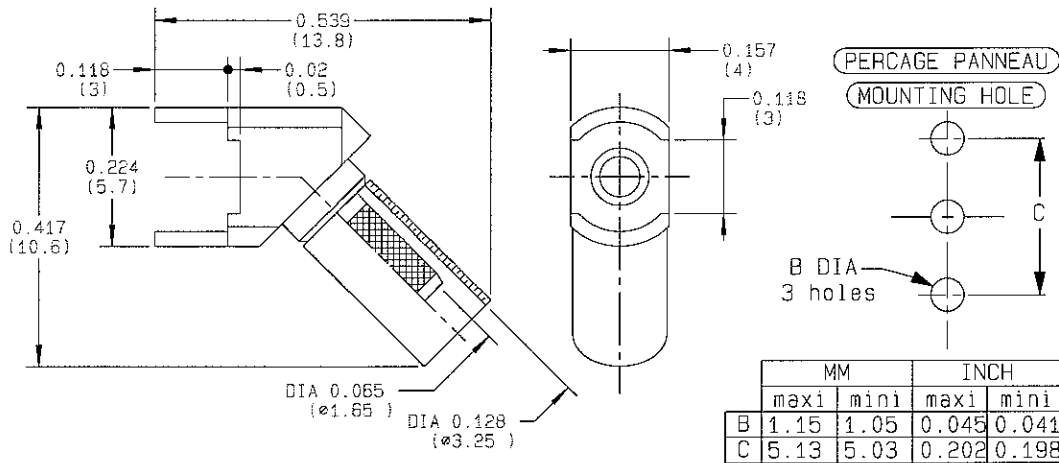


45° ELBOW DIELECTRIC FEEDTHROUGH

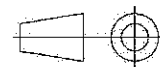
CABLE K02252D

R280.296.120

Series : ACC-COAX



All dimensions are in mm.



COMPONENTS	MATERIALS	PLATINGS (µm)
BODY	BRASS	TIN .
CENTER CONTACT	-	-
OUTER CONTACT	-	-
INSULATOR	-	-
GASKET	-	-
OTHERS PARTS	BRASS	NICKEL .
-	-	-
-	-	-

Issue : 0509 C

In the effort to improve our products, we reserve the right to make changes judged to be necessary.



45° ELBOW DIELECTRIC FEEDTHROUGH

R280.296.120

CABLE K02252D

Series : ACC-COAX

PACKAGING

Standard	Unit	Other
1	-	Contact us

SPECIFICATION

ELECTRICAL CHARACTERISTICS

Impedance		50 Ω
Frequency		0-3 GHz
VSWR	+	0.000 x F(GHz) Maxi
Insertion loss		√F(GHz) dB Maxi
RF leakage	- (- F(GHz)) dB Maxi
Voltage rating		750 Veff Maxi
Dielectric withstanding voltage		1000 Veff mini
Insulation resistance		NA MΩ mini

CABLE ASSEMBLY

Stripping	a	b	c	d	e	f
mm	4.00	5.50	14.5	0.00	10.5	0.00

Assembly instruction : **Crimp 11**

Recommended cable(s)
K02252D

Characteristics indicated on this data sheet are those that can be achieved with the highest performance cable. Intrinsic limitations of the cable may diminish the performance of the assembly

Cable retention

- pull off **53** N mini
- torque **N.cm**

MECHANICAL CHARACTERISTICS

Center contact retention		
Axial force – Mating end		N mini
Axial force – Opposite end		N mini
Torque		N.cm mini

Recommended torque		
Mating		N.cm
Panel nut		N.cm
Clamp nut		N.cm
A/F clamp nut	0.000	mm

Mating life	0	Cycles mini
Weight	0.000	g

TOOLING

Part Number	Description	Hexagon
R282.235.003	CRIMPING DIES	
R282.293.000	CRIMPING TOOL	

OTHERS CHARACTERISTICS

ENVIRONMENTAL

Operating temperature	-55/+155	°C
Hermetic seal		Atm.cm3/s
Panel leakage		

Issue : 0509 C

In the effort to improve our products, we reserve the right to make changes judged to be necessary.

