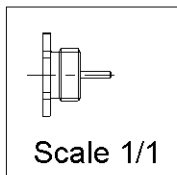
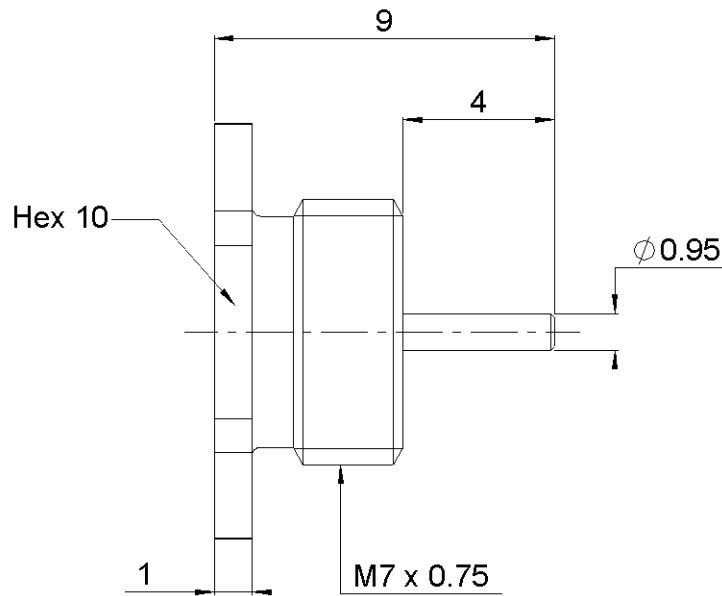


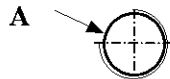
**SCREW ON RECEPTACLE
FRONT MOUNTING.**

R223.555.110

Series : MMBX

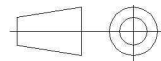
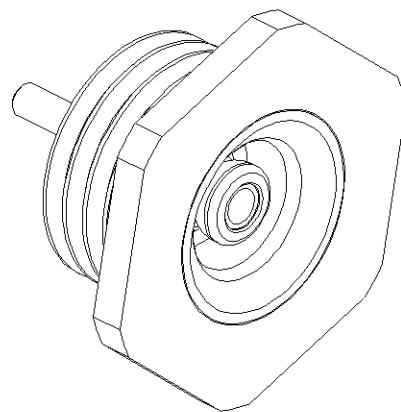


PANEL CUT OUT



Threading

Ø A M7 x 0.75



All dimensions are in mm.

COMPONENTS	MATERIALS	PLATING (µm)
BODY	BRASS	NPGR
CENTER CONTACT	BRASS	NPGR
OUTER CONTACT	BRASS	NPGR
INSULATOR	LIQUID CRYSTAL POLYMER,PTFE	
GASKET		
OTHERS PARTS		
-	-	-
-	-	-

Issue : 0913 A

In the effort to improve our products, we reserve the right to make changes judged to be necessary.



SCREW ON RECEPTACLE

R223.555.110

FRONT MOUNTING.

Series : MMBX

PACKAGING

SPECIFICATION

Standard	Unit	Other
100	'W' option	Contact us

ELECTRICAL CHARACTERISTICS

ENVIRONMENTAL

Impedance	50	Ω
Frequency	0-12.4	GHz
VSWR	1.083* + 0,0000	x F(GHz) Maxi
Insertion loss	0.12	\sqrt{F} (GHz) dB Maxi
RF leakage	- (100**)	- F(GHz)) dB Maxi
Voltage rating	330	Veff Maxi
Dielectric withstanding voltage	500	Veff mini
Insulation resistance	1000	M Ω mini

Operating temperature	-55/+155	$^{\circ}$ C
Hermetic seal	NA	Atm.cm3/s
Panel leakage	NA	

OTHER CHARACTERISTICS

Assembly instruction **NA**

Others :

*to 6 GHz

**Interface only up to 2.5GHz

MECHANICAL CHARACTERISTICS

Center contact retention		
Axial force – Mating end	10	N mini
Axial force – Opposite end	7	N mini
Torque	NA	N.cm mini
Recommended torque		
Mating	NA	N.cm
Panel nut	60	N.cm
Mating life	500	Cycles mini
Weight	1,5100	g

Issue : 0913 A

In the effort to improve our products, we reserve the right to make changes judged to be necessary.

RADIALL 