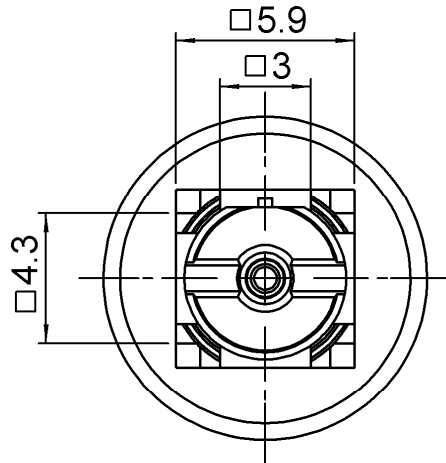


**STRAIGHT JACK RECEPTACLE FOR PCB**

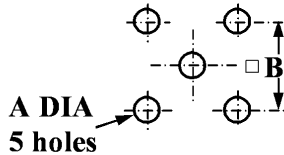
**R223.425.810**

**SOLDER LEGS REEL OF 500**

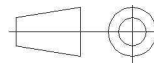
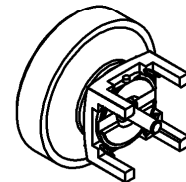
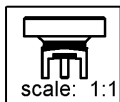
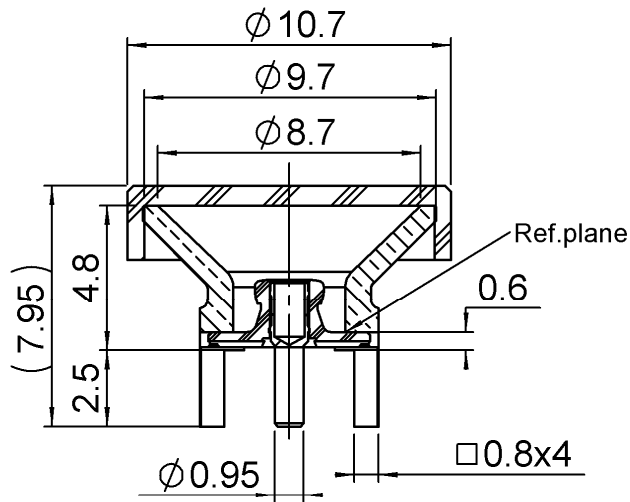
Series : MMBX



**PANEL CUT OUT**



	mm	
	Maxi	mini
<b>A</b>	1.40	1.30
<b>B</b>	5.13	5.03



All dimensions are in mm.

COMPONENTS	MATERIALS	PLATING (µm)
BODY	BRASS	NPGR
CENTER CONTACT	BRASS	NPGR
OUTER CONTACT		
INSULATOR	LCP	
GASKET		
OTHERS PARTS		
-	-	-
-	-	-

Issue : 0853 A

In the effort to improve our products, we reserve the right to make changes judged to be necessary.



**STRAIGHT JACK RECEPTACLE FOR PCB**

**R223.425.810**

**SOLDER LEGS REEL OF 500**

Series : MMBX

**PACKAGING**

**SPECIFICATION**

Standard	Unit	Other
500	'W' option	Contact us

1301-RNT 408 1013 Uen Rev.A

**ELECTRICAL CHARACTERISTICS**

**ENVIRONMENTAL**

Impedance		<b>50</b> Ω
Frequency		<b>0-12.4</b> GHz
VSWR	<b>*1.15</b> +	<b>0,0000</b> x F(GHz) Maxi
Insertion loss		<b>**0.1</b> √F(GHz) dB Maxi
RF leakage	- (	<b>NA</b> - F(GHz)) dB Maxi
Voltage rating		<b>330</b> Veff Maxi
Dielectric withstanding voltage		<b>1000</b> Veff mini
Insulation resistance		<b>1000</b> MΩ mini

Operating temperature	<b>-55/+155</b> ° C
Hermetic seal	<b>NA</b> Atm.cm3/s
Panel leakage	<b>NA</b>

**OTHER CHARACTERISTICS**

Assembly instruction

Others :

\*1.15 max 0- 2.5GHz coaxial transmission line only  
(measure for connector chain

R223.425.810+R223.720.060+R223.900.107)

\*\*0.1 max 0- 2.5GHz coaxial transmission line only

**MECHANICAL CHARACTERISTICS**

Center contact retention		
Axial force – Mating end	<b>10</b>	N mini
Axial force – Opposite end	<b>10</b>	N mini
Torque	<b>NA</b>	N.cm mini
Recommended torque		
Mating	<b>NA</b>	N.cm
Panel nut	<b>NA</b>	N.cm
Mating life	<b>100</b>	Cycles mini
Weight	<b>1,0570</b>	g

Issue : 0853 A

In the effort to improve our products, we reserve the right to make changes judged to be necessary.

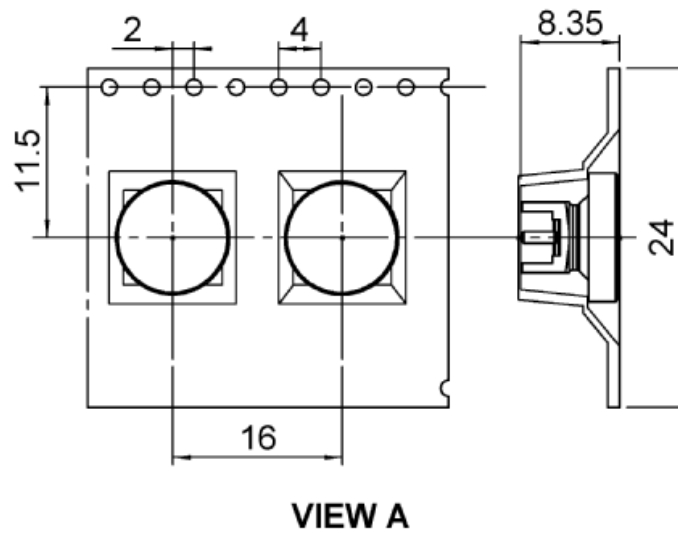
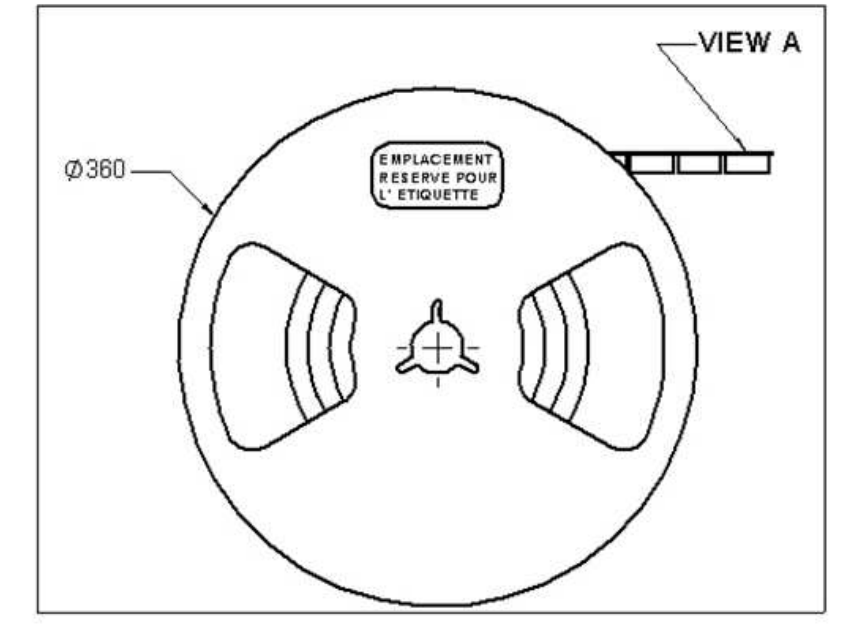
**RADIALL** 

**STRAIGHT JACK RECEPTACLE FOR PCB**  
**SOLDER LEGS REEL OF 500**

**R223.425.810**

Series : MMBX

**PACKAGE**



Issue : 0853 A

In the effort to improve our products, we reserve the right to make changes judged to be necessary.