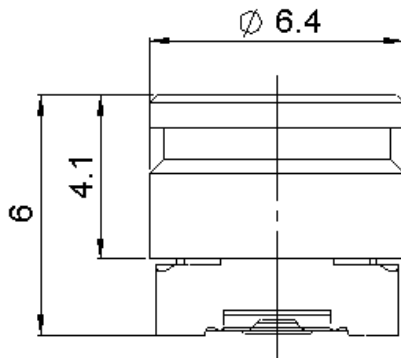
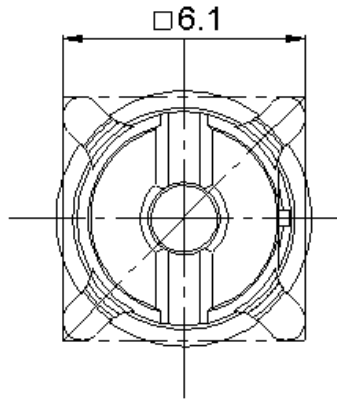


SMTJACK RECEPTACLE

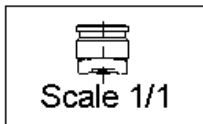
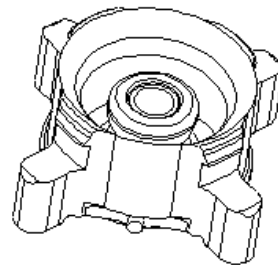
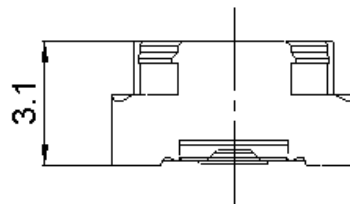
R223.424.800

REEL OF 750

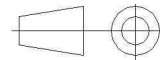
Series : MMBX



Seulement pour conditionnement en bobine.
For tape and reel packaging only.



All dimensions are in mm.



COMPONENTS	MATERIALS	PLATING (µm)
BODY	BRASS	NPGR
CENTER CONTACT	BRASS	NPGR
OUTER CONTACT	-	-
INSULATOR	LIQUID CRYSTAL POLYMER	
GASKET		
OTHERS PARTS	PTFE	
-	-	-
-	-	-

Issue : 0735 C

In the effort to improve our products, we reserve the right to make changes judged to be necessary.



SMTJACK RECEPTACLE

R223.424.800

REEL OF 750

Series : MMBX

PACKAGING

SPECIFICATION

Standard	Unit	Other
750	-	Contact us

ELECTRICAL CHARACTERISTICS

ENVIRONMENTAL

Impedance	50	Ω
Frequency	0-12.4	GHz
VSWR	1.065 + 0,0000	x F(GHz) Maxi
Insertion loss	0.12	\sqrt{F} (GHz) dB Maxi
RF leakage	- (100)	- F(GHz)) dB Maxi
Voltage rating	330	Veff Maxi
Dielectric withstanding voltage	1000	Veff mini
Insulation resistance	1000	M Ω mini

Operating temperature	-55/+155	$^{\circ}$ C
Hermetic seal	NA	Atm.cm3/s
Panel leakage	NA	

OTHER CHARACTERISTICS

Assembly instruction **NA**

Others :
to 6 GHz
Inteface MMBX only up to 2.5GHz
PCB to PCB -45 dB up to 2.5GHz

Mated pair height 6.7mm

MECHANICAL CHARACTERISTICS

Center contact retention		
Axial force – Mating end	10	N mini
Axial force – Opposite end	10	N mini
Torque	NA	N.cm mini
Recommended torque		
Mating	NA	N.cm
Panel nut	NA	N.cm
Mating life	100	Cycles mini
Weight	0,3050	g

Issue : 0735 C

In the effort to improve our products, we reserve the right to make changes judged to be necessary.



SMTJACK RECEPTACLE

R223.424.800

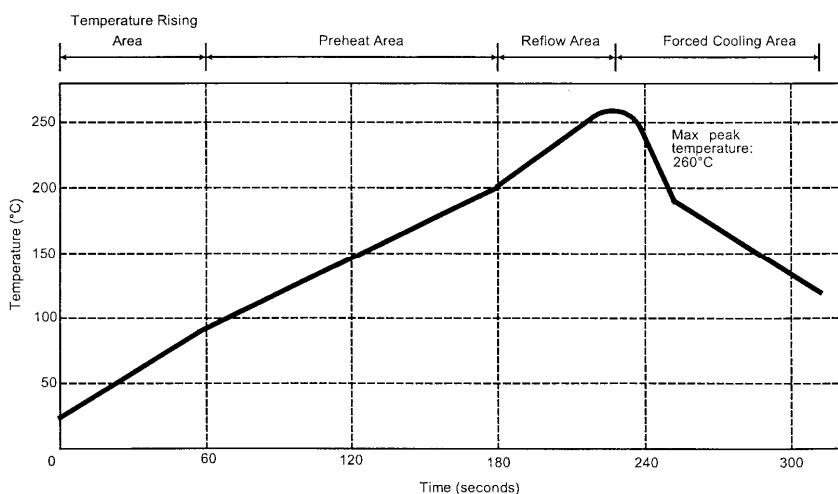
REEL OF 750

Series : MMBX

SOLDER PROCEDURE OF MMBX RECEPTACLE IN INDUSTRIAL ENVIRONMENT

1. Deposit solder paste 'SnAg4Cu0.5' on mounting zone by screen printing application.
We recommend a low residue flux.
We advise a thickness of 150 micromm (5.850 microinch). Verify that the edges of the zone are clean.
2. Placement of the receptacle on the mounting zone with an automatic machine of 'pick and place' type.
A video camera is recommended for positioning of the component.
Adhesive agents must not be used on the receptacle.
3. This process of soldering has been tested with convection oven.
Below please find, the typical profile to use.
4. The cleaning of printed circuit boards is not obliged.
5. Verification of solder joints and position of the component by visual inspection.

TEMPERATURE PROFILE



Parameter	Value	Unit
Temperature rising Area	1 - 4	°C/sec
Max Peak Temperature	260	°C
Max dwell time @260°C	10	sec
Min dwell time @235°C	20	sec
Max dwell time @235°C	60	sec
Temperature drop in cooling Area	-1 to -4	°C/sec
Max dwell time above 100°C	420	sec

Issue : 0735 C

In the effort to improve our products, we reserve the right to make changes judged to be necessary.



SMTJACK RECEPTACLE

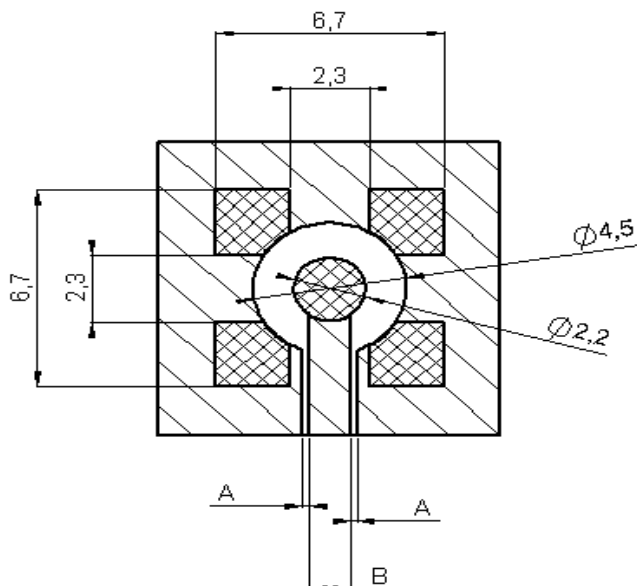
R223.424.800

REEL OF 750

Series : MMBX

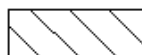
MMBX SERIES INFORMATIONS

PCB



COPLANAR LINE

Pattern and signal are on the same side
 The material of PCB is epoxy resin (FR4).
 (Er = 4.6)
 The solder resist should be printed
 Except for the land pattern on the PCB



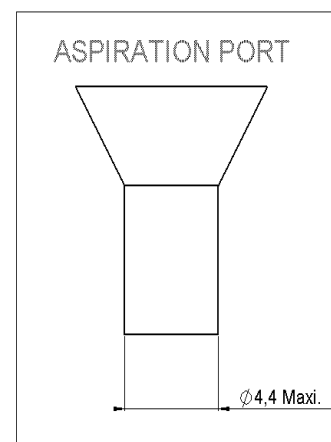
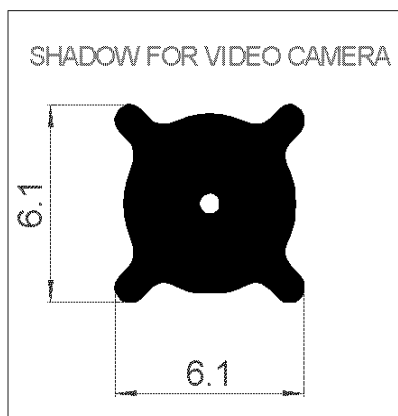
Pattern

APPLICATION 75Ω
 WITH B = 0,55mm

PCB thickness (mm)	Coplanar ligne A (mm)
0,8	0,350
1,0	0,360
1,2	0,365
1,6	0,375

APPLICATION 50Ω
 WITH B = 1,2mm

PCB thickness (mm)	Coplanar ligne A (mm)
0,8	0,190
1,0	0,200
1,2	0,205
1,6	0,210



Issue : 0735 C

In the effort to improve our products, we reserve the right to make changes judged to be necessary.



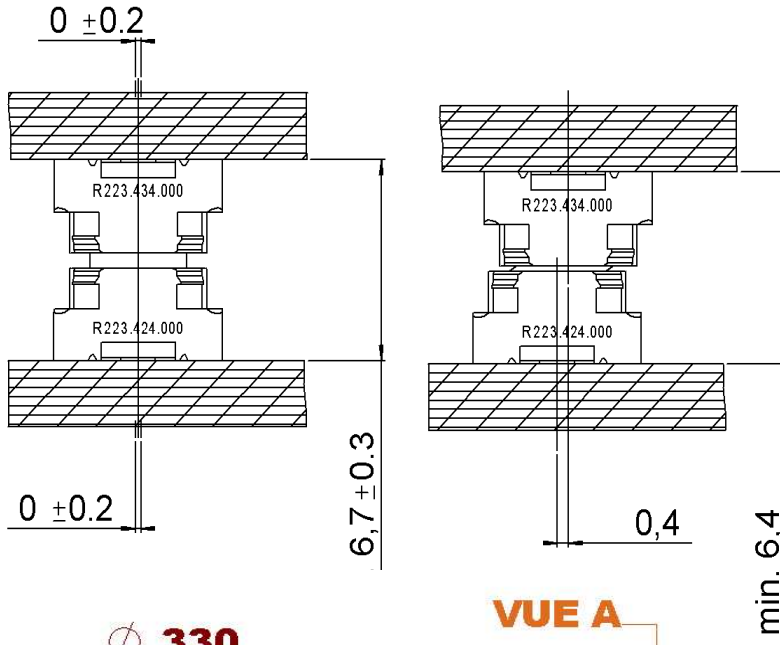
SMTJACK RECEPTACLE

R223.424.800

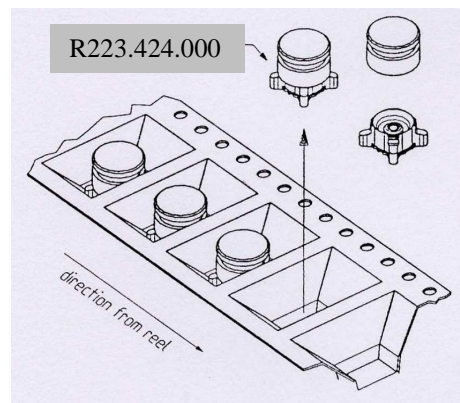
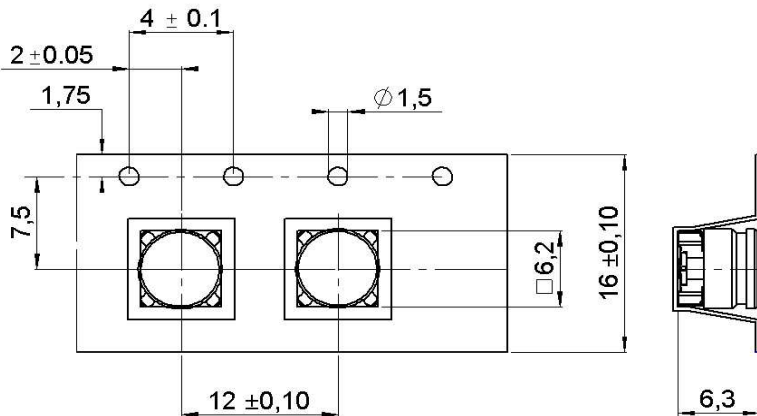
REEL OF 750

Series : MMBX

INFORMATIONS SUR LA SERIE MMBX



VUE A



Issue : 0735 C

In the effort to improve our products, we reserve the right to make changes judged to be necessary.

