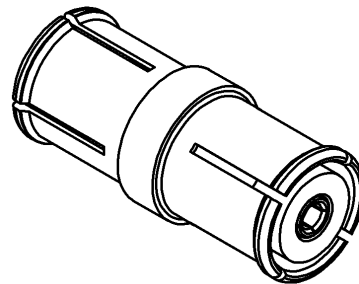
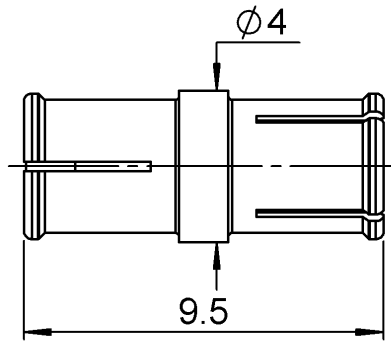
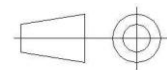


PAGE 1/3	ISSUE <b>08-11-16A</b>	SERIES <b>SMP-MAX</b>	PART NUMBER <b>R222M40010</b>
----------	------------------------	-----------------------	-------------------------------



All dimensions are in mm.



COMPONENTS	MATERIALS	PLATING (µm)
Body	<b>BERYLLIUM COPPER</b>	<b>NPGR</b>
Center contact	<b>BERYLLIUM COPPER</b>	<b>NPGR</b>
Outer contact		
Insulator	<b>PTFE</b>	
Gasket		
Others parts		
-	-	-
-	-	-

PAGE 2/3	ISSUE <b>08-11-16A</b>	SERIES <b>SMP-MAX</b>	PART NUMBER <b>R222M40010</b>
----------	------------------------	-----------------------	-------------------------------

### PACKAGING

Standard	Unit	Other
<b>100</b>	<b>Contact us</b>	<b>Contact us</b>

### ELECTRICAL CHARACTERISTICS

Impedance **50** Ω  
 Frequency **0 - 10** GHz  
 VSWR (max.) / Return Loss (max.)

DC - 2 GHz	2 - 4 GHz	4 - 6 GHz
1.07 / -30dB	1.12 / -27dB	1.14 / -24dB

Insertion loss **< 0.05\*** √F(GHz) dB  
 RF leakage - ( **NA** - F(GHz)) dB  
 Voltage rating **335** Veff Maxi  
 Dielectric withstanding voltage **1000** Veff mini  
 Insulation resistance **5000** MΩ mini

### MECHANICAL CHARACTERISTICS

Center contact retention  
 Axial force – Mating End **7** N mini  
 Axial force – Opposite end **7** N mini  
 Torque **NA** N.cm mini

Radiall working range **0.0000** mm  
 Warning: To ensure a blind mate assembly, please check the pull-in range of the mating receptacle.

Recommended torque  
 Mating **NA** N.cm  
 Panel nut **NA** N.cm

Mating life **100** Cycles mini  
 Weight **0.2840** g

### ENVIRONMENTAL

Operating temperature **-55/+165** °C  
 Hermetic seal **NA** Atm.cm3/s  
 Panel leakage **NA**

### SPECIFICATION

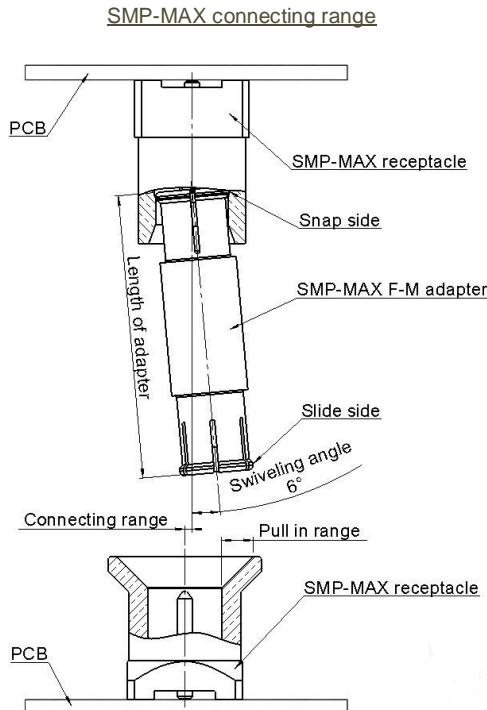
### OTHER CHARACTERISTICS

Assembly instruction:

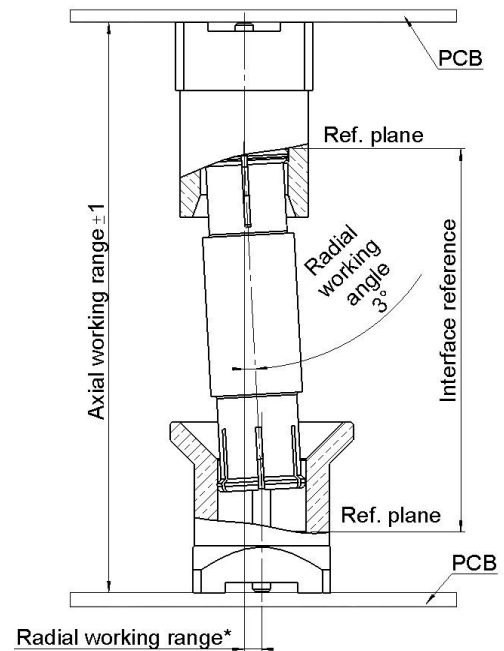
Others:  
 \*Coaxial Transmission Line Only  
**Radial working angle: 3°min**  
**Axial working range : 2mm**

PAGE 3/3	ISSUE 08-11-16A	SERIES SMP-MAX	PART NUMBER R222M40010
----------	-----------------	----------------	------------------------

### GENERAL DATA OF SMP-MAX SERIE



### SMP-MAX radial and axial working range



The connecting range represents the maximum misalignment during connection.

The swiveling angle is the maximum possible angle of the adapter in a snap receptacle.

A blind assembly is guaranteed if radial misalignment is smaller than connecting range. Otherwise a manual lead-in is necessary.

Electrical performance is achieved when radial and axial misalignments are within their working ranges.

Radial working range = (length of the adapter) x Sinus(radial working angle)

### Typical RF performances for a set:

slide receptacle + adapter + snap receptacle (receptacles soldered on boards):

	Misalignment	DC - 3 GHz	3 - 6 GHz
	V.S.W.R / Return loss	Radial 0°, Axial 0mm	<1.15/-23.9 dB
Radial 0°, Axial +/-1mm		<1.20/-20.8 dB	<1.35/-16.5 dB
Radial 3°, Axial 0mm		<1.15/-23.1 dB	<1.25/-19.1 dB
Radial 3°, Axial +/-1mm		<1.20/-20.8 dB	<1.35/-16.5 dB
Insertion loss	Misalignment	DC - 3 GHz	3 - 6 GHz
	Radial 0°, Axial 0mm	<0.10 dB	<0.15 dB
	Radial 0°, Axial +/-1mm	<0.12 dB	<0.25 dB
	Radial 3°, Axial 0mm	<0.10 dB	<0.15 dB
handling power	Radial 3°, Axial +/-1mm	<0.12 dB	<0.25 dB
	>300W @2.7GHz at 25°C; >200W @2.7GHz at 85°C		