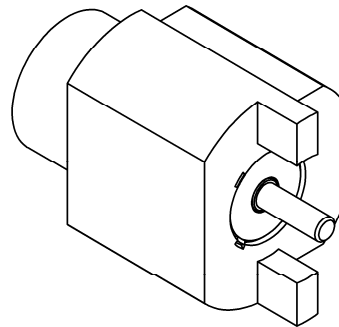
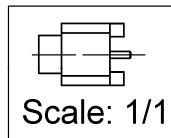
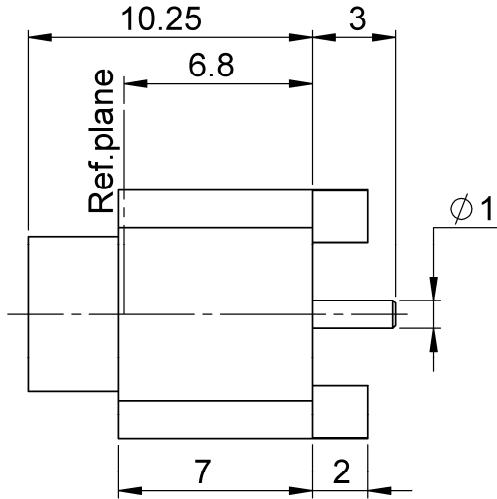
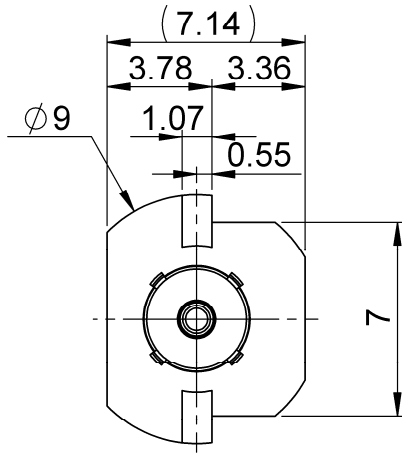
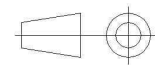


PAGE 1/2	ISSUE 1438A	SERIES SMP-MAX	PART NUMBER R222M01140
----------	-------------	----------------	------------------------



All dimensions are in mm.



COMPONENTS	MATERIALS	PLATING (μm)
Body	BRASS	NPGR
Center contact	BRASS	NPGR
Outer contact		
Insulator	PTFE/LCP/PEEK	
Gasket		
Others parts		
-	-	-
-	-	-

PAGE 2/2	ISSUE 1438A	SERIES SMP-MAX	PART NUMBER R222M01140
----------	-------------	-----------------------	-------------------------------

PACKAGING

Standard	Unit	Other
100	Contact us	Contact us

ELECTRICAL CHARACTERISTICS

Impedance		50	Ω
Frequency		0-6	GHz
VSWR	1.04* +	0.020	x F(GHz) Maxi
Insertion loss		0.05*	√F(GHz) dB Maxi
RF leakage	- (NA	- F(GHz) dB Maxi
Voltage rating		335	Veff Maxi
Dielectric withstanding voltage		1000	Veff mini
Insulation resistance		5000	MΩ mini

ENVIRONMENTAL

Operating temperature	-55/+165	°C
Hermetic seal	NA	Atm.cm3/s
Panel leakage	NA	

MECHANICAL CHARACTERISTICS

Center contact retention			
Axial force – Mating End		7	N mini
Axial force – Opposite end		7	N mini
Torque		NA	N.cm mini

SPECIFICATION

Recommended torque			
Mating	NA	N.cm	
Panel nut	NA	N.cm	
Mating life	100	Cycles mini	
Weight	3.065	g	

OTHER CHARACTERISTICS

Assembly instruction:**NA**

Others:
***Coaxial Transmission Line Only**
Power handling(typical)
>300W@2.7GHz at 25°C ; >200W@2.7GHz at 85°C