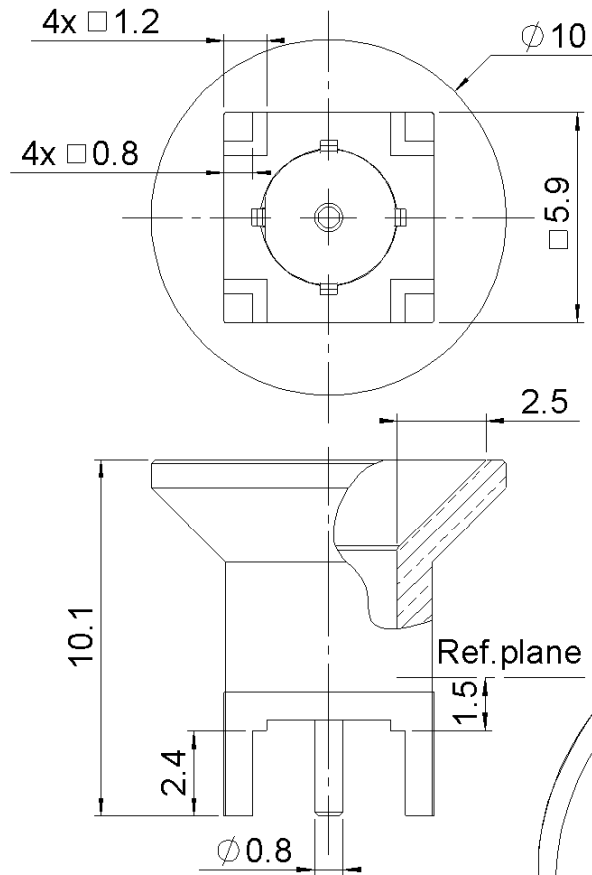


**STRAIGHT MALE RECEPTACLE**

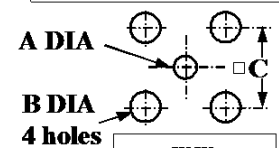
**SLIDE TYPE**

**R222.M00.880**

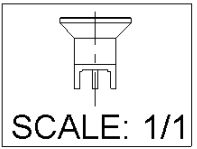
Series : **SMP-MAX**



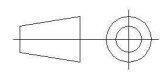
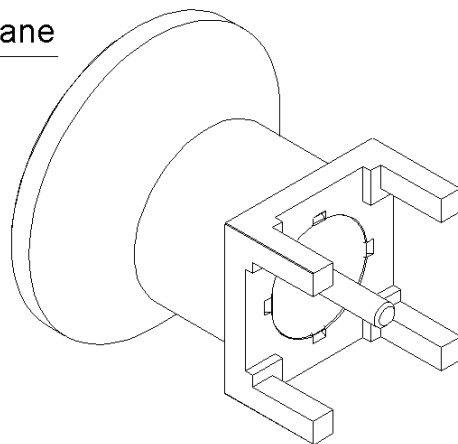
**PANEL CUT OUT**



	mm	
	Maxi	mini
<b>A</b>	<b>1.2</b>	<b>1.1</b>
<b>B</b>	<b>1.4</b>	<b>1.3</b>
<b>C</b>	<b>5.13</b>	<b>5.03</b>



All dimensions are in mm.



COMPONENTS	MATERIALS	PLATING (µm)
<b>BODY</b>	<b>BRASS</b>	<b>NPGR</b>
<b>CENTER CONTACT</b>	<b>BRASS</b>	<b>NPGR</b>
<b>OUTER CONTACT</b>	-	-
<b>INSULATOR</b>	<b>PTFE/LCP/PEEK</b>	-
<b>GASKET</b>	-	-
<b>OTHERS PARTS</b>	-	-
-	-	-
-	-	-

Issue : 1252 A

In the effort to improve our products, we reserve the right to make changes judged to be necessary.



**STRAIGHT MALE RECEPTACLE**

**R222.M00.880**

**SLIDE TYPE**

Series : **SMP-MAX**

**PACKAGING**

Standard	Unit	Other
<b>100</b>	-	<b>Contact us</b>

**SPECIFICATION**

**ELECTRICAL CHARACTERISTICS**

Impedance	<b>50</b>	$\Omega$
Frequency	<b>0-6</b>	GHz
VSWR	<b>1.25*</b> + <b>0.0000</b>	x F(GHz) Maxi
Insertion loss	<b>0.15*</b>	$\sqrt{F}$ (GHz) dB Maxi
RF leakage	- ( <b>NA</b> )	- F(GHz)) dB Maxi
Voltage rating	<b>335</b>	Veff Maxi
Dielectric withstanding voltage	<b>1000</b>	Veff mini
Insulation resistance	<b>5000</b>	M $\Omega$ mini

**ENVIRONMENTAL**

Operating temperature	<b>-55/+165</b>	$^{\circ}$ C
Hermetic seal	<b>NA</b>	Atm.cm3/s
Panel leakage	<b>NA</b>	

**OTHER CHARACTERISTICS**

Assembly instruction **NA**

Others :

\*VSWR: up to 3 GHz; 3-6GHz, 1.35max

\*Coaxial Transmission Line Only

**MECHANICAL CHARACTERISTICS**

Center contact retention		
Axial force – Mating end	<b>7</b>	N mini
Axial force – Opposite end	<b>7</b>	N mini
Torque	<b>NA</b>	N.cm mini
Recommended torque		
Mating	<b>NA</b>	N.cm
Panel nut	<b>NA</b>	N.cm
Mating life	<b>100</b>	Cycles mini
Weight	<b>1.4270</b>	g

Issue : 1252 A

In the effort to improve our products, we reserve the right to make changes judged to be necessary.

