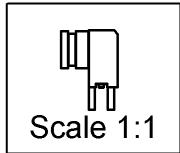
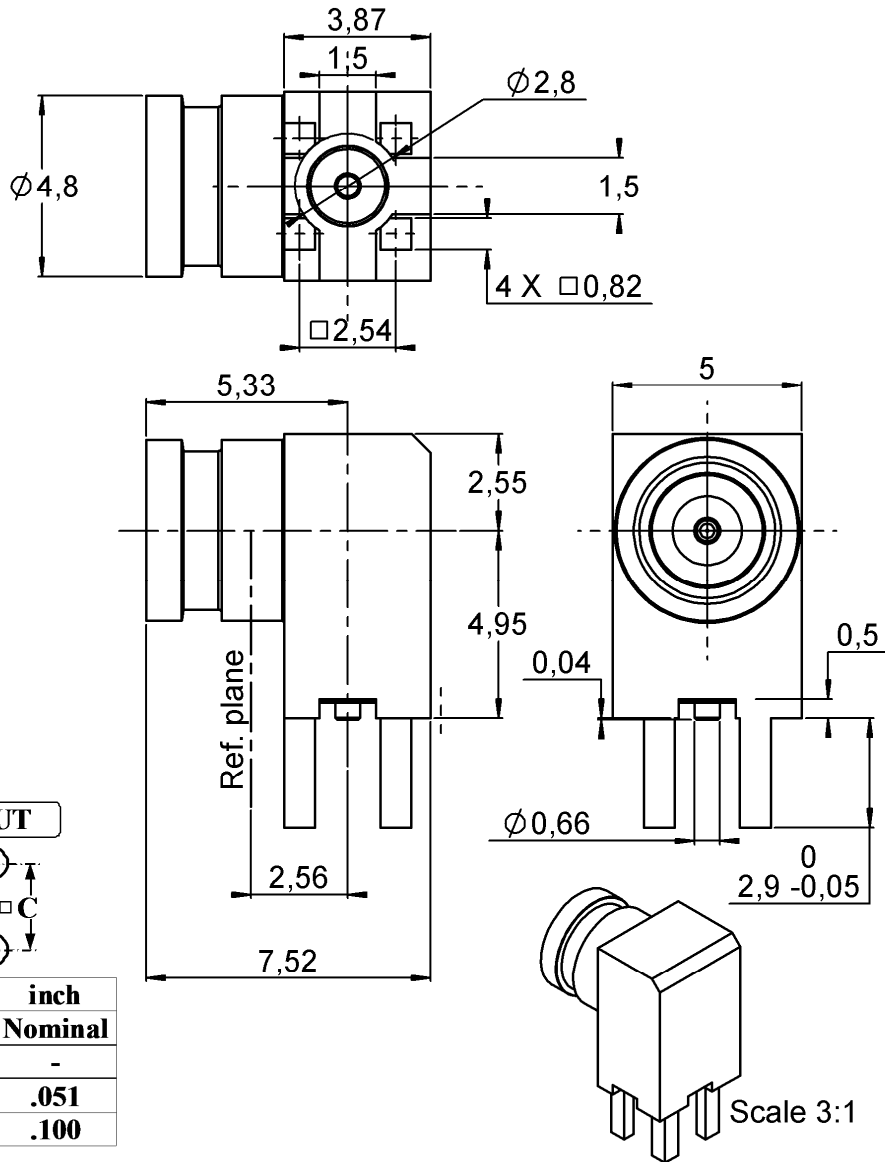


R/A MALE RECEPTACLE FOR PCB

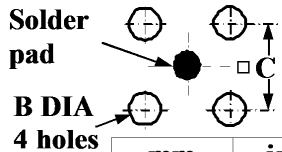
**R222.L00.000**

LIMITED-DETENT

Series : SMP LOCK

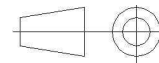


**PANEL CUT OUT**



	mm	inch
	Nominal	Nominal
<b>A</b>	-	-
<b>B</b>	1.3	.051
<b>C</b>	2.54	.100

All dimensions are in mm.



COMPONENTS	MATERIALS	PLATING (µm)
BODY	BRASS	N2PGR
CENTER CONTACT	BERYLLIUM COPPER	GOLD 1.27 OVER NICKEL 1.27
OUTER CONTACT	-	-
INSULATOR	PTFE	-
GASKET	-	-
OTHERS PARTS	-	-
-	-	-
-	-	-

Issue : 11-05-23 A

In the effort to improve our products, we reserve the right to make changes judged to be necessary.



**R/A MALE RECEPTACLE FOR PCB**

**R222.L00.000**

**LIMITED-DETENT**

Series : **SMP LOCK**

**PACKAGING**

**SPECIFICATION**

Standard	Unit	Other
<b>100</b>	-	<b>Contact us</b>

**ELECTRICAL CHARACTERISTICS**

**ENVIRONMENTAL**

Impedance		<b>50</b> Ω
Frequency		<b>0-40*</b> GHz
VSWR	<b>1.2**</b> +	<b>0,0000</b> x F(GHz) Maxi
Insertion loss		<b>0.12*</b> √F(GHz) dB Maxi
RF leakage	- (	<b>NA</b> - F(GHz)) dB Maxi
Voltage rating		<b>335</b> Veff Maxi
Dielectric withstanding voltage		<b>500</b> Veff mini
Insulation resistance		<b>5000</b> MΩ mini

Operating temperature	<b>-65/+165</b> ° C
Hermetic seal	<b>NA</b> Atm.cm3/s
Panel leakage	<b>NA</b>

**OTHER CHARACTERISTICS**

Assembly instruction

Others :

\*Coaxial Transmission Line Only

\*\*DC-20GHz (Coaxial Transmission Line Only)

Performance strongly depends on layout and PCB material

**MECHANICAL CHARACTERISTICS**

Center contact retention		
Axial force – Mating end	<b>6.7</b>	N mini
Axial force – Opposite end	<b>6.7</b>	N mini
Torque	<b>NA</b>	N.cm mini
Recommended torque		
Mating	<b>NA</b>	N.cm
Panel nut	<b>NA</b>	N.cm
Mating life	<b>500</b>	Cycles mini
Weight	<b>1,3800</b>	g

Issue : 11-05-23 A

In the effort to improve our products, we reserve the right to make changes judged to be necessary.

