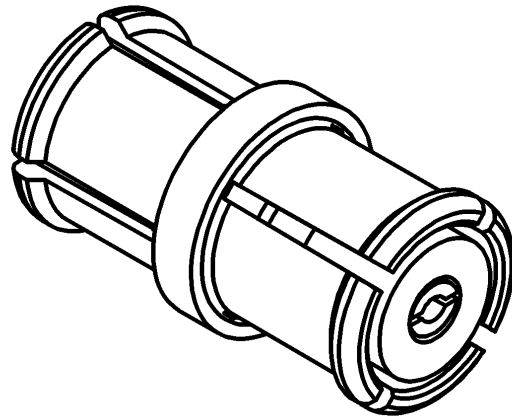
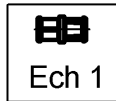
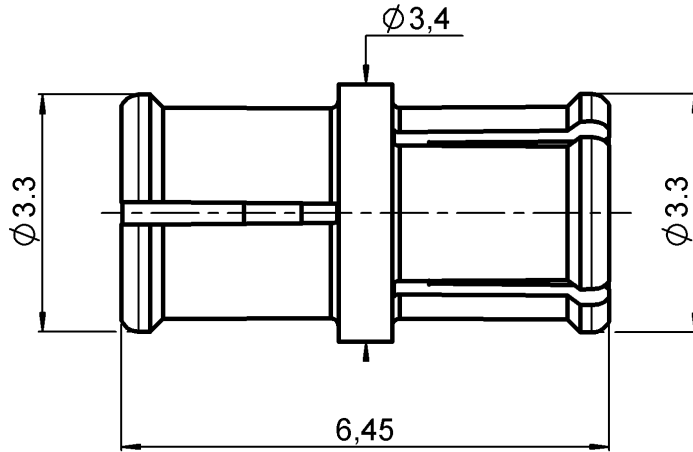


FEMALE-FEMALE ADAPTER

R222.970.000

Series : SMP-COM



All dimensions are in mm.



COMPONENTS	MATERIALS	PLATING (μm)
BODY	BERYLLIUM COPPER	NPGR
CENTER CONTACT	BERYLLIUM COPPER	NPGR
OUTER CONTACT	-	-
INSULATOR	PTFE	-
GASKET	-	-
OTHERS PARTS	-	-
-	-	-
-	-	-

Issue : 0623 A

In the effort to improve our products, we reserve the right to make changes judged to be necessary.



FEMALE-FEMALE ADAPTER

R222.970.000

Series : SMP-COM

PACKAGING

SPECIFICATION

Standard	Unit	Other
100	'W' option	Contact us

ELECTRICAL CHARACTERISTICS

ENVIRONMENTAL

Impedance	50	Ω
Frequency	*0-12.4	GHz
VSWR	**1.1 + 0,0000	x F(GHz) Maxi
Insertion loss	0.12	\sqrt{F} (GHz) dB Maxi
RF leakage	- (**55)	- F(GHz) dB Maxi
Voltage rating	335	Veff Maxi
Dielectric withstanding voltage	750	Veff mini
Insulation resistance	5000	M Ω mini

Operating temperature	-55/+125	$^{\circ}$ C
Hermetic seal		Atm.cm3/s
Panel leakage		

OTHER CHARACTERISTICS

Assembly instruction

Others :

*ROS 1.30 at 12.4GHz

** ROS at 6GHz

***-40dB min 3<F<6GHz

MECHANICAL CHARACTERISTICS

Center contact retention		
Axial force – Mating end	6.8	N mini
Axial force – Opposite end	6.8	N mini
Torque	NA	N.cm mini

Recommended torque		
Mating		N.cm
Panel nut		N.cm

Mating life	100	Cycles mini
Weight	0,1700	g

Issue : 0623 A

In the effort to improve our products, we reserve the right to make changes judged to be necessary.

