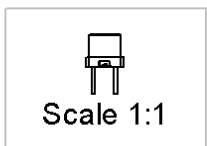
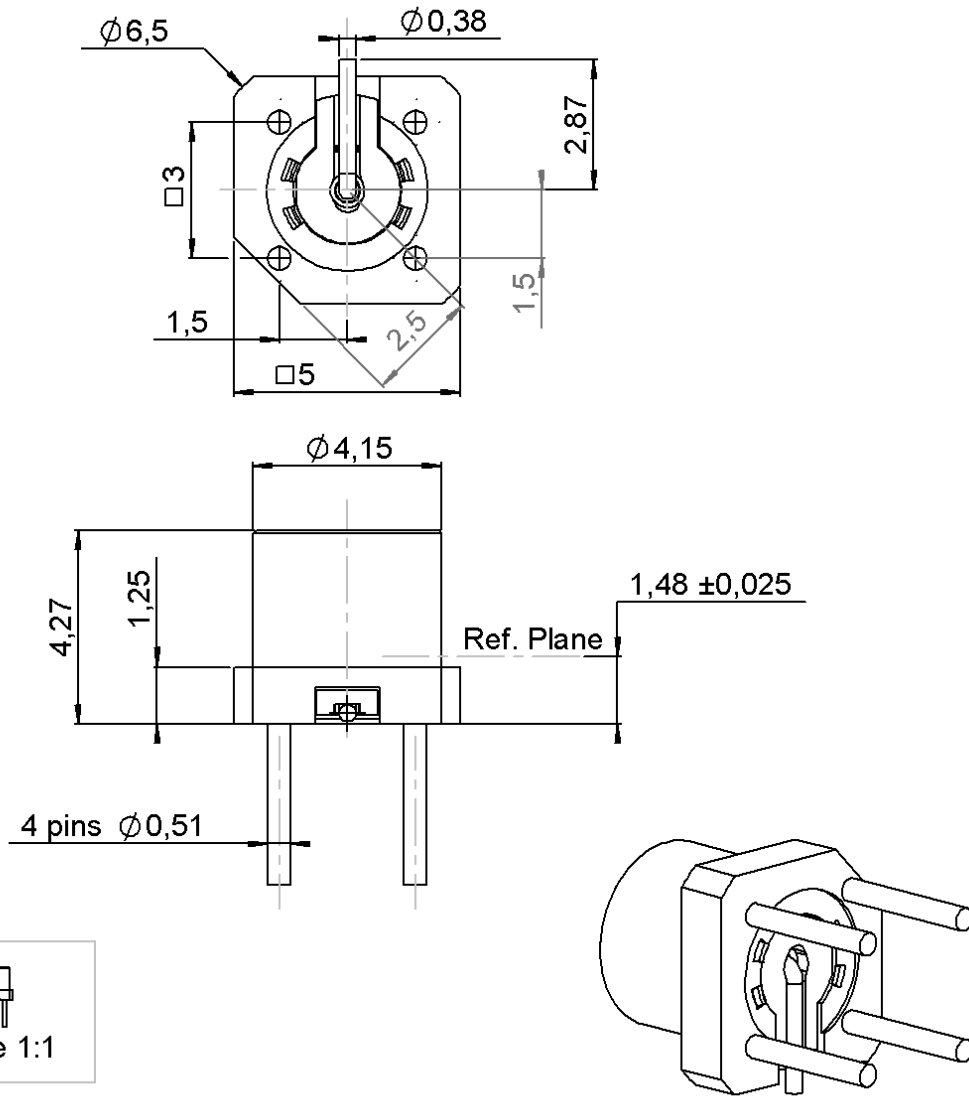


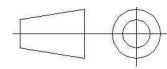
**STRAIGHT MALE RECEPTACLE PIN IN PASTE**  
**SMOOTH BORE-TAPE AND REEL 500**

**R222.940.700**

Series : SMP-COM



All dimensions are in mm.



| COMPONENTS     | MATERIALS | PLATING (µm) |
|----------------|-----------|--------------|
| BODY           | BRASS     | NPGR         |
| CENTER CONTACT | BRASS     | NPGR         |
| OUTER CONTACT  | -         | -            |
| INSULATOR      | PEEK      | -            |
| GASKET         | -         | -            |
| OTHERS PARTS   | -         | -            |
| -              | -         | -            |
| -              | -         | -            |

Issue : 1121 C

In the effort to improve our products, we reserve the right to make changes judged to be necessary.



**STRAIGHT MALE RECEPTACLE PIN IN PASTE**

**R222.940.700**

**SMOOTH BORE-TAPE AND REEL 500**

Series : SMP-COM

**PACKAGING**

**SPECIFICATION**

| Standard   | Unit | Other             |
|------------|------|-------------------|
| <b>500</b> |      | <b>Contact us</b> |

**ELECTRICAL CHARACTERISTICS**

**ENVIRONMENTAL**

|                                 |                       |                          |
|---------------------------------|-----------------------|--------------------------|
| Impedance                       | <b>50</b>             | $\Omega$                 |
| Frequency                       | <b>0-12.4*</b>        | GHz                      |
| VSWR                            | <b>1.1** + 0,0000</b> | x F(GHz) Maxi            |
| Insertion loss                  | <b>0.12</b>           | $\sqrt{F}$ (GHz) dB Maxi |
| RF leakage                      | - ( <b>NA</b> )       | - F(GHz)) dB Maxi        |
| Voltage rating                  | <b>335</b>            | Veff Maxi                |
| Dielectric withstanding voltage | <b>500</b>            | Veff mini                |
| Insulation resistance           | <b>5000</b>           | M $\Omega$ mini          |

|                       |                 |              |
|-----------------------|-----------------|--------------|
| Operating temperature | <b>-55/+125</b> | $^{\circ}$ C |
| Hermetic seal         | <b>NA</b>       | Atm.cm3/s    |
| Panel leakage         | <b>NA</b>       |              |

**OTHER CHARACTERISTICS**

Assembly instruction **NA**

Others :

\*ROS 1.35 at 12.4GHz

\*\*ROS at 6GHz

**MECHANICAL CHARACTERISTICS**

|                            |               |             |
|----------------------------|---------------|-------------|
| Center contact retention   |               |             |
| Axial force – Mating end   | <b>6.8</b>    | N mini      |
| Axial force – Opposite end | <b>6.8</b>    | N mini      |
| Torque                     | <b>NA</b>     | N.cm mini   |
| Recommended torque         |               |             |
| Mating                     | <b>NA</b>     | N.cm        |
| Panel nut                  | <b>NA</b>     | N.cm        |
| Mating life                | <b>100</b>    | Cycles mini |
| Weight                     | <b>0,3570</b> | g           |

Issue : 1121 C

In the effort to improve our products, we reserve the right to make changes judged to be necessary.



**STRAIGHT MALE RECEPTACLE PIN IN PASTE**  
**SMOOTH BORE-TAPE AND REEL 500**

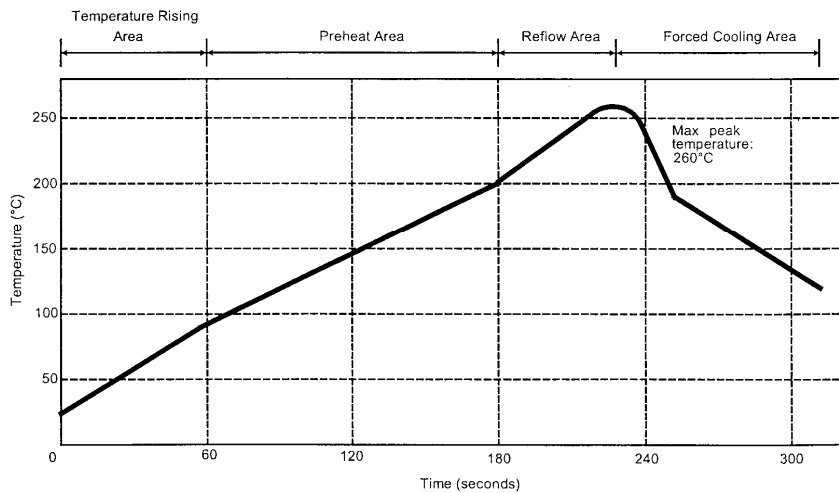
**R222.940.700**

Series : SMP-COM

**SOLDER PROCEDURE**

1. Deposit solder paste ‘SnAg4Cu0.5’ on mounting zone by screen printing application. We recommend a low residue flux.  
We advise a thickness of 150 micromm ( 5.850 microinch ). Verify that the edges of the zone are clean.
2. Placement of the receptacle on the mounting zone with an automatic machine of ‘pick and place’ type. A video camera is recommended for positioning of the component . Adhesive agents must not be used on the receptacle.
3. This process of soldering has been tested with convection oven .Below please find ,the typical profile to use.
4. The cleaning of printed circuit boards is not obliged .
5. Verification of solder joints and position of the component by visual inspection.

**TEMPERATURE PROFILE**



| Parameter                        | Value     | Unit   |
|----------------------------------|-----------|--------|
| Temperature rising Area          | 1 - 4     | °C/sec |
| Max Peak Temperature             | 260       | °C     |
| Max dwell time @260°C            | 10        | sec    |
| Min dwell time @235°C            | 20        | sec    |
| Max dwell time @235°C            | 60        | sec    |
| Temperature drop in cooling Area | -1 to - 4 | °C/sec |
| Max dwell time above 100°C       | 420       | sec    |

Issue : 1121 C

In the effort to improve our products, we reserve the right to make changes judged to be necessary.

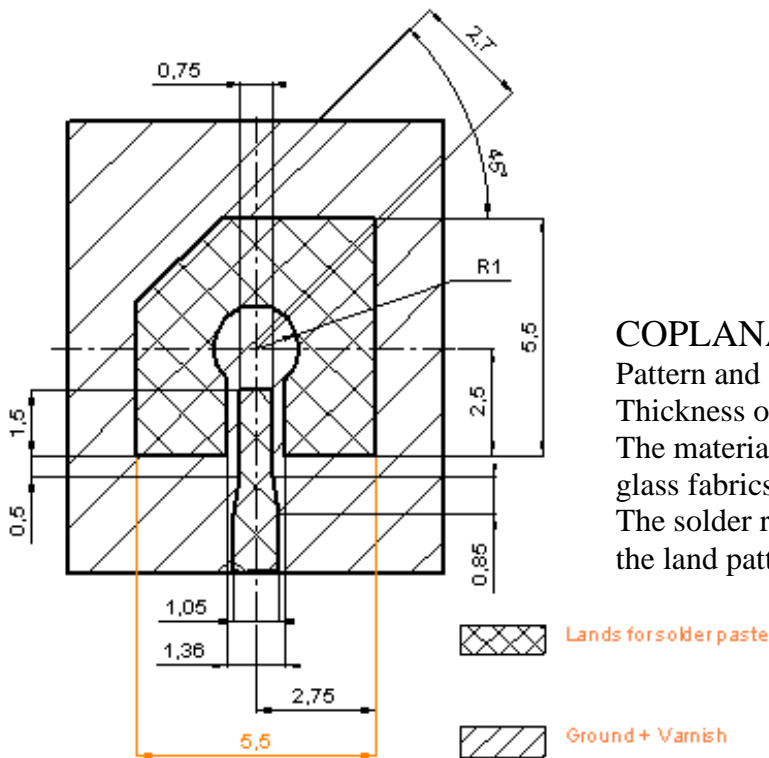


**STRAIGHT MALE RECEPTACLE PIN IN PASTE**  
**SMOOTH BORE-TAPE AND REEL 500**

**R222.940.700**

Series : SMP-COM

**STANDARD PAD(F or ROGERS 4350)**



**COPLANAR LINE**

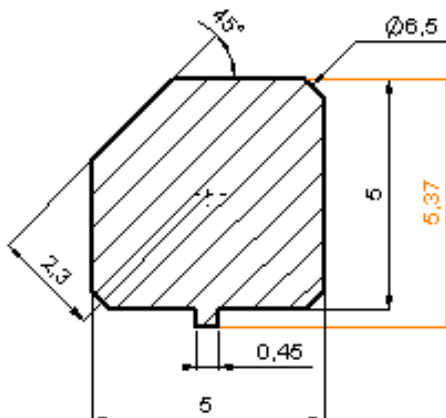
Pattern and signal are on the same side.

Thickness of PCB : 1.6mm

The material of PCB is the epoxy resin of glass fabrics bac (ER:4.8).

The solder resist should be printed except for the land pattern on the PCB.

**SHADOW OF RECEPTACLE FOR VIDEO CAMERA**



Issue : 1121 C

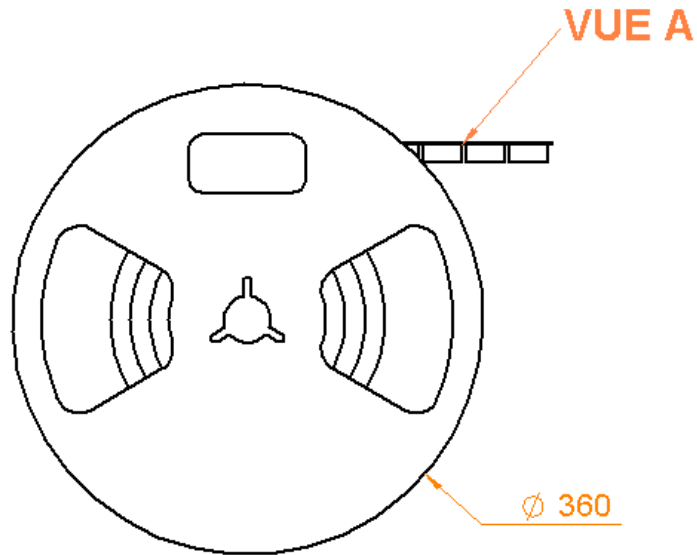
In the effort to improve our products, we reserve the right to make changes judged to be necessary.



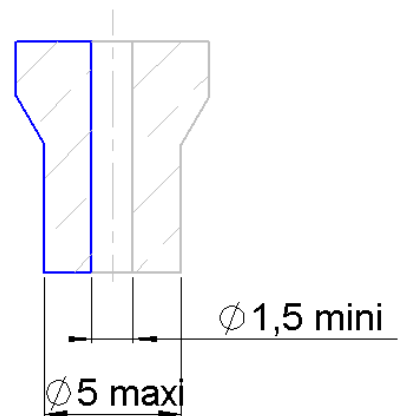
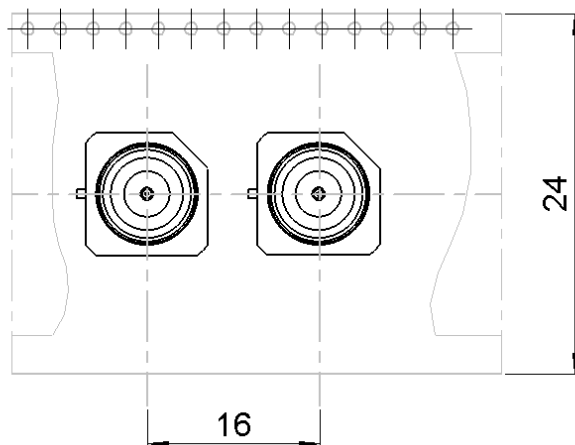
**STRAIGHT MALE RECEPTACLE PIN IN PASTE**  
**SMOOTH BORE-TAPE AND REEL 500**

**R222.940.700**

Series : SMP-COM



**AIR SUNCTION**



Issue : 1121 C

In the effort to improve our products, we reserve the right to make changes judged to be necessary.

