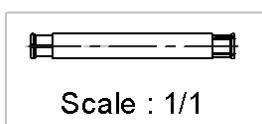
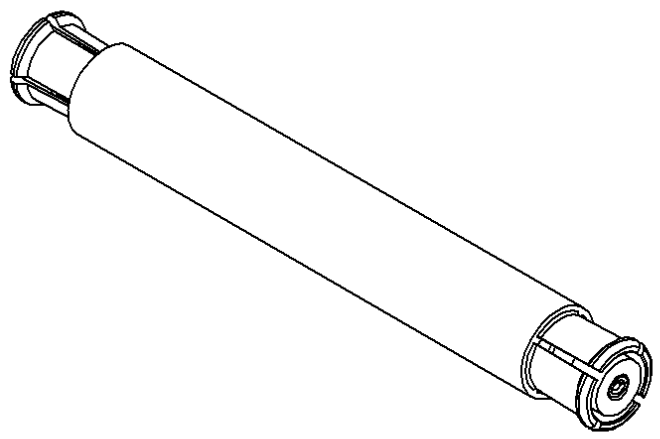
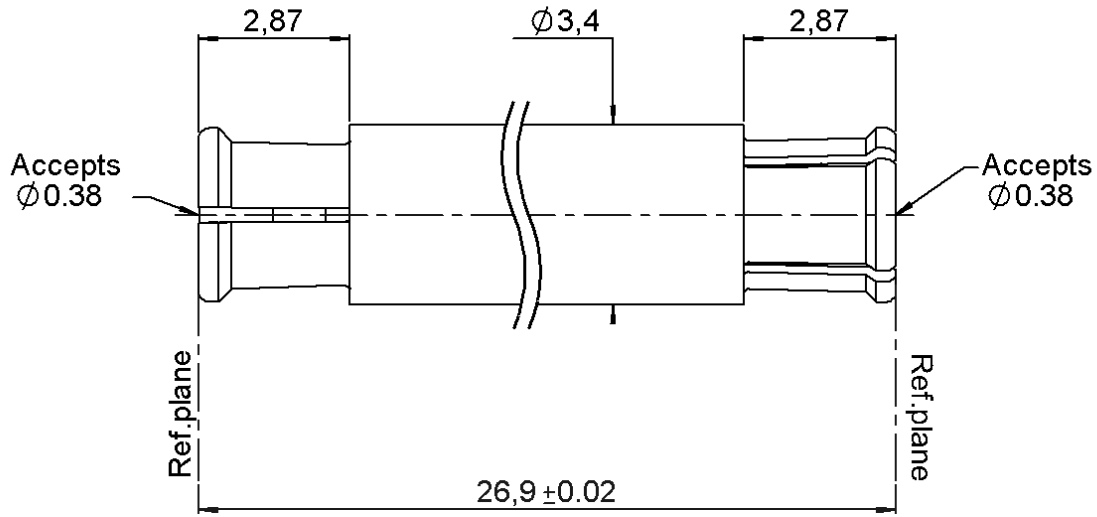
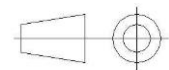


PAGE 1/3	ISSUE 19-02-16A	SERIES SMP	PART NUMBER R222705380
----------	-----------------	------------	------------------------



All dimensions are in mm.



COMPONENTS	MATERIALS	PLATING (µm)
Body	<b>BERYLLIUM COPPER</b>	<b>GOLD 2.54 OVER NICKEL 1.27</b>
Center contact	<b>BERYLLIUM COPPER</b>	<b>GOLD 2.54 OVER NICKEL 1.27</b>
Outer contact	-	-
Insulator	<b>PTFE</b>	-
Gasket	-	-
Others parts	-	-
-	-	-
-	-	-

PAGE 2/3	ISSUE 19-02-16A	SERIES SMP	PART NUMBER R222705380
----------	-----------------	------------	------------------------

**PACKAGING**

Standard	Unit	Other
<b>100</b>	<b>Contact us</b>	<b>Contact us</b>

**ELECTRICAL CHARACTERISTICS**

Impedance		<b>50</b>	Ω
Frequency		<b>0-40</b>	GHz
VSWR	<b>1.7**</b> +	<b>0,0000</b>	x F(GHz) Maxi
Insertion loss		<b>0.12*</b>	√F(GHz) dB Maxi
RF leakage	- (	<b>NA</b>	- F(GHz) dB Maxi
Voltage rating		<b>335</b>	Veff Maxi
Dielectric withstanding voltage		<b>500</b>	Veff mini
Insulation resistance		<b>5000</b>	MΩ mini

**MECHANICAL CHARACTERISTICS**

Center contact retention			
Axial force – Mating End		<b>6.7</b>	N mini
Axial force – Opposite end		<b>6.7</b>	N mini
Torque		<b>NA</b>	N.cm mini
Recommended torque			
Mating		<b>NA</b>	N.cm
Panel nut		<b>NA</b>	N.cm
Mating life		<b>100</b>	Cycles mini
Weight		<b>1,2500</b>	g

**ENVIRONMENTAL**

Operating temperature	<b>-65/+165</b>	°C
Hermetic seal	<b>NA</b>	Atm.cm3/s
Panel leakage	<b>NA</b>	

**SPECIFICATION**

**OTHER CHARACTERISTICS**

Assembly instruction:

Others:

**\*DC-18GHz**

**\*\*V.S.W.R: 1.2@DC-18GHz**

**Compliant with MIL-STD-348**

PAGE 3/3	ISSUE 19-02-16A	SERIES SMP	PART NUMBER R222705380
----------	-----------------	------------	------------------------

**ADDITIONAL INFORMATIONS**  
**MOUNTING AND REPLACEMENT INSTRUCTIONS**

1 - INFORMATIONS

Mechanical durability: 100 cycles -> full detent connector .  
 : 500 cycles -> limited detent connector .  
 : 1000 cycles-> smooth bore connector .

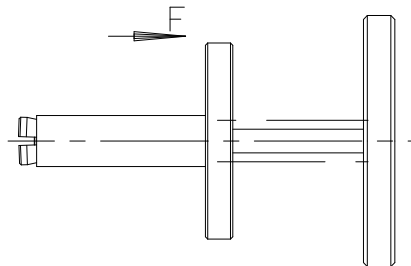
Axial misalignement = 0/+0.25 mm.  
 Radial misalignement = ±0.25mm.

Force to:	engage	-	disengage	-	connector
Full det:	66.75 N maxi	-	22.25 N mini	-	FULL DETENT
Limited:	44.5 N maxi	-	8.9 N mini	-	LIMITED DET.
Smooth b:	8.9 N maxi	-	2.225 N mini	-	SMOOTH BORE

2 - MOUNTING AND REPLACEMENT

Adaptor must be mounted or removed with tooling R282.918.100.

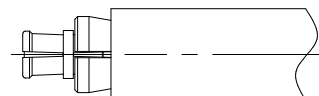
2-1 - Push in F direction to open the tool .



2-2 - Place the adaptor into the tool , until it bottoms against .



2-3 - Push on the adaptor , and release the smallest tool diameter. (the force to fixe the adaptor is applied by a spring) .



2-4 - Push on the biggest tool diameter to place the adaptor .  
 - To remove the adaptor , pull off on the biggest tool diameter .