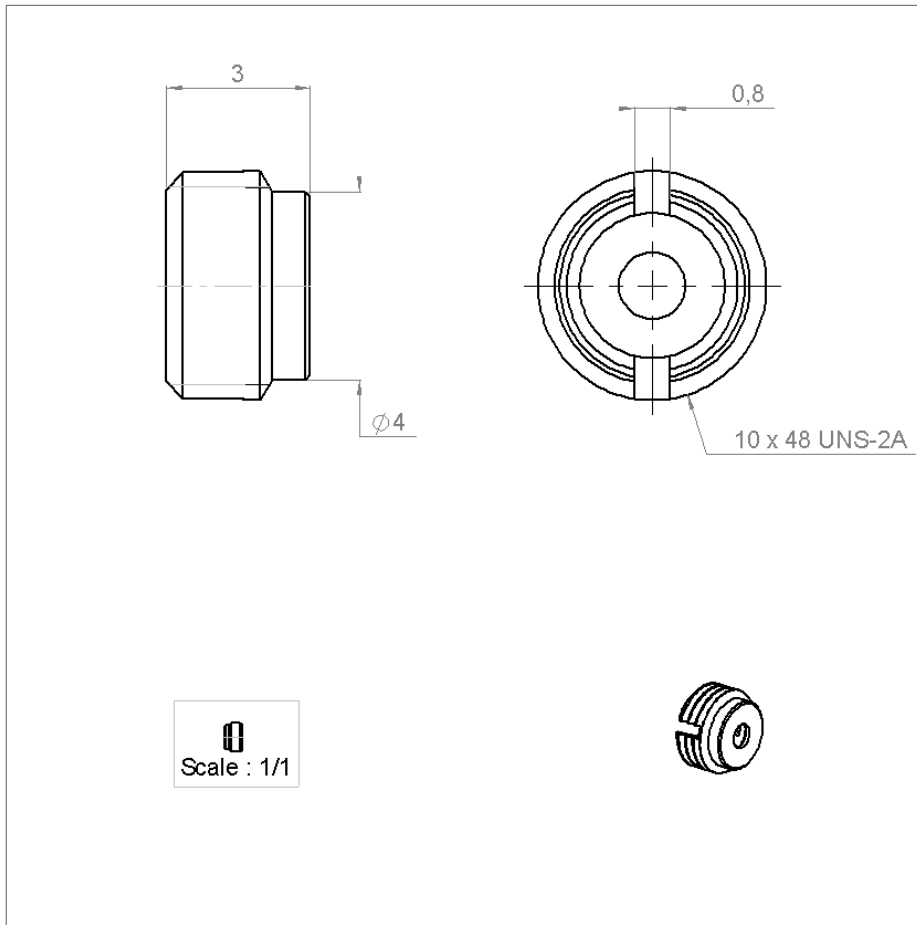


THREAD-IN SHROUD 0.4MM

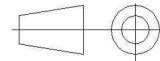
R222.550.301

LIMITED-DETENT

Series : SMP



All dimensions are in mm.



COMPONENTS	MATERIALS	PLATINGS (µm)
BODY	STAINLESS STEEL	PASSIVATED
CENTER CONTACT	-	-
OUTER CONTACT	-	-
INSULATOR	-	-
GASKET	-	-
OTHERS PARTS	-	-
-	-	-
-	-	-

Issue : 1243 B

In the effort to improve our products, we reserve the right to make changes judged to be necessary.



THREAD-IN SHROUD 0.4MM

R222.550.301

LIMITED-DETENT

Series : SMP

PACKAGING

SPECIFICATION

Standard	Unit	Other
100	'W' option	Contact us

ELECTRICAL CHARACTERISTICS

ENVIRONMENTAL

Impedance	NA	Ω
Frequency	NA	GHz
VSWR	NA + 0,0000	x F(GHz) Maxi
Insertion loss	NA	\sqrt{F} (GHz) dB Maxi
RF leakage	- (NA	- F(GHz)) dB Maxi
Voltage rating	NA	Veff Maxi
Dielectric withstanding voltage	NA	Veff mini
Insulation resistance	NA	M Ω mini

Operating temperature	-65/+165	$^{\circ}$ C
Hermetic seal	NA	Atm.cm3/s
Panel leakage	NA	

OTHERS CHARACTERISTICS

Assembly instruction

Others :

MECHANICAL CHARACTERISTICS

Center contact retention		
Axial force – Mating end	NA	N mini
Axial force – Opposite end	NA	N mini
Torque	NA	N.cm mini
Recommended torque		
Mating	NA	N.cm
Panel nut	90	N.cm
Mating life	500	Cycles mini
Weight	0,1400	g

Issue : 1243 B

In the effort to improve our products, we reserve the right to make changes judged to be necessary.



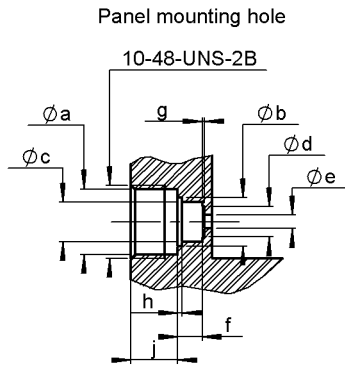
THREAD-IN SHROUD 0.4MM

R222.550.301

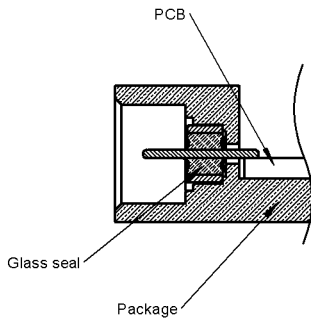
LIMITED-DETENT

Series : SMP

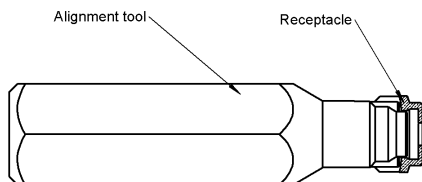
**ADDITIONAL INFORMATIONS
MOUNTING AND REPLACEMENT INSTRUCTIONS**



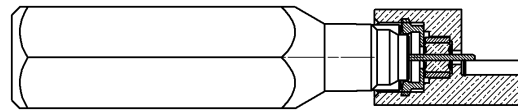
	mini - maxi
a	4,32 - 4,37
b	3,21 - 3,25
c	2,56 - 2,58
d	1,95 - 2,05
e	0,86 - 0,89
f	1,61 - 1,65
g	0,13 - 0,18
h	0,28 - 0,35
i	3,10 - 3,15



1. Solder the glass seal on the panel
2. Connector must be screwed or unscrewed with adapted torque driver R282.339.001 (recommended coupling torque 90 Ncm) Alignment tool R282.360.001
3. Slide on the receptacle until it bottoms against tooling



4. Screw the receptacle into the package housing until activation of the torque driver



5. Withdraw the alignment tool

Issue : 1243 B

In the effort to improve our products, we reserve the right to make changes judged to be necessary.

