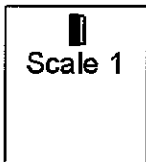
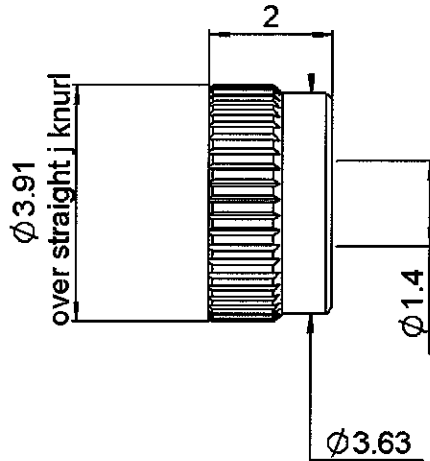


**STRAIGHT PRESS-MOUNT SCHROUD**

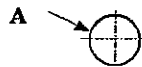
**R222.402.731**

**SMOOTH BORE**

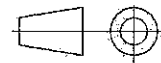
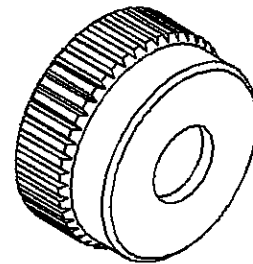
Series : SMP



PANEL CUT OUT



| A | mm   |      |
|---|------|------|
|   | Maxi | mini |
| A | 3.87 | 3.85 |



All dimensions are in mm.

| COMPONENTS     | MATERIALS       | PLATINGS ( $\mu\text{m}$ ) |
|----------------|-----------------|----------------------------|
| BODY           | STAINLESS STEEL | PASSIVATED .               |
| CENTER CONTACT |                 |                            |
| OUTER CONTACT  |                 |                            |
| INSULATOR      |                 |                            |
| GASKET         |                 |                            |
| OTHERS PARTS   |                 |                            |
| -              | -               |                            |
| -              | -               |                            |

Issue : 0529 B

In the effort to improve our products, we reserve the right to make changes judged to be necessary.



**STRAIGHT PRESS-MOUNT SCHROUD**

**R222.402.731**

**SMOOTH BORE**

Series : SMP

**PACKAGING**

| Standard | Unit       | Other      |
|----------|------------|------------|
| 100      | 'W' option | Contact us |

**SPECIFICATION**

**ELECTRICAL CHARACTERISTICS**

|                                 |        |                          |
|---------------------------------|--------|--------------------------|
| Impedance                       | NA     | $\Omega$                 |
| Frequency                       | NA     | GHz                      |
| VSWR                            | NA +   | 0.000 x F(GHz) Maxi      |
| Insertion loss                  | NA     | $\sqrt{F}$ (GHz) dB Maxi |
| RF leakage                      | NA - ( | F(GHz)) dB Maxi          |
| Voltage rating                  | NA     | Veff Maxi                |
| Dielectric withstanding voltage | NA     | Veff mini                |
| Insulation resistance           | NA     | M $\Omega$ mini          |

**ENVIRONMENTAL**

|                       |                           |
|-----------------------|---------------------------|
| Operating temperature | -65/165 °C                |
| Hermetic seal         | NA Atm.cm <sup>3</sup> /s |
| Panel leakage         | NA                        |

**OTHERS CHARACTERISTICS**

Assembly instruction

Others :

**MECHANICAL CHARACTERISTICS**

|                            |                  |
|----------------------------|------------------|
| Center contact retention   |                  |
| Axial force – Mating end   | NA N mini        |
| Axial force – Opposite end | NA N mini        |
| Torque                     | NA N.cm mini     |
| Recommended torque         |                  |
| Mating                     | NA N.cm          |
| Panel nut                  | NA N.cm          |
| Mating life                | 1000 Cycles mini |
| Weight                     | 0.060 g          |

Issue : 0529 B

In the effort to improve our products, we reserve the right to make changes judged to be necessary.



PRELIMINARY