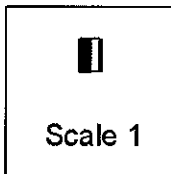
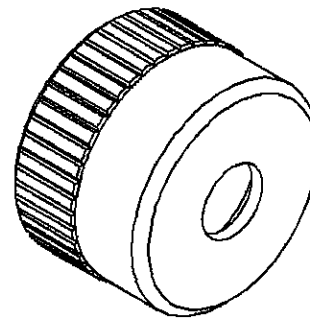
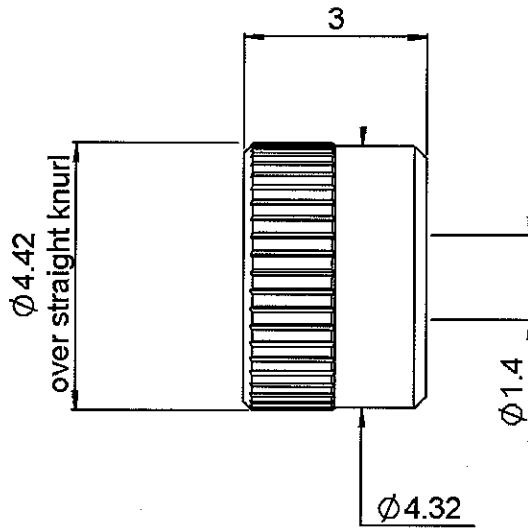


**STRAIGHT PRESS-MOUNT SCHROUD**

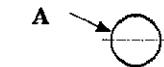
**R222.402.321**

**LIMITED DETENT**

Series : SMP

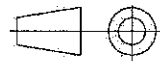


PANEL CUT OUT



mm		
	Maxi	mini
A	4.39	4.37

All dimensions are in mm.



COMPONENTS	MATERIALS	PLATINGS ( $\mu\text{m}$ )
BODY	STAINLESS STEEL	PASSIVATED.
CENTER CONTACT		
OUTER CONTACT		
INSULATOR		
GASKET		
OTHERS PARTS		
-	-	
-	-	

Issue : 0529 B

In the effort to improve our products, we reserve the right to make changes judged to be necessary.



**STRAIGHT PRESS-MOUNT SCHROUD**

**R222.402.321**

**LIMITED DETENT**

Series : SMP

**PACKAGING**

**SPECIFICATION**

Standard	Unit	Other
100	'W' option	Contact us

**ELECTRICAL CHARACTERISTICS**

**ENVIRONMENTAL**

Impedance		NA $\Omega$
Frequency		NA GHz
VSWR	NA +	0.000 x F(GHz) Maxi
Insertion loss		NA $\sqrt{F}$ (GHz) dB Maxi
RF leakage	-(	NA - F(GHz)) dB Maxi
Voltage rating		NA Veff Maxi
Dielectric withstanding voltage		NA Veff mini
Insulation resistance		NA M $\Omega$ mini

Operating temperature	-65/165 °C
Hermetic seal	NA Atm.cm <sup>3</sup> /s
Panel leakage	NA

**OTHERS CHARACTERISTICS**

Assembly instruction

Others :

**MECHANICAL CHARACTERISTICS**

Center contact retention		
Axial force – Mating end	NA	N mini
Axial force – Opposite end	NA	N mini
Torque	NA	N.cm mini
Recommended torque		
Mating	NA	N.cm
Panel nut	NA	N.cm
Mating life	500	Cycles mini
Weight	0.163	g

Issue : 0529 B

In the effort to improve our products, we reserve the right to make changes judged to be necessary.



**RADIALL**®

PRELIMINARY