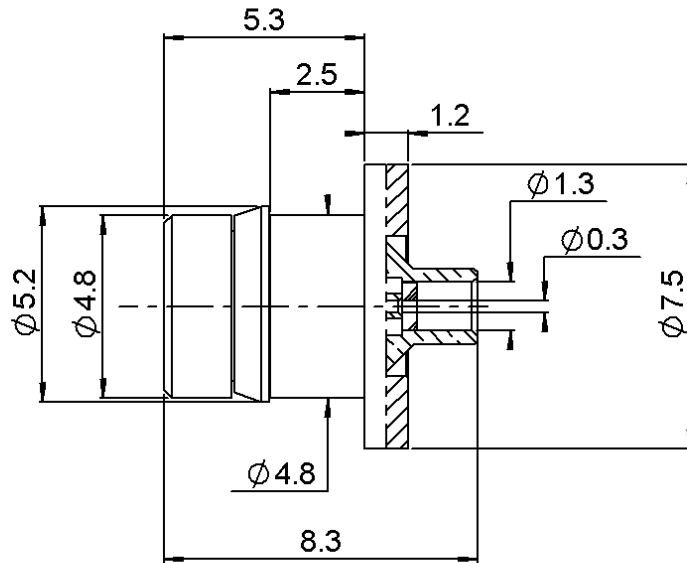


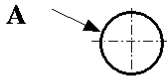
SNAP-IN STRAIGHT MALE JACK
SMOOTH BORE SOLDER TYPE CABLE .047

R222.221.702

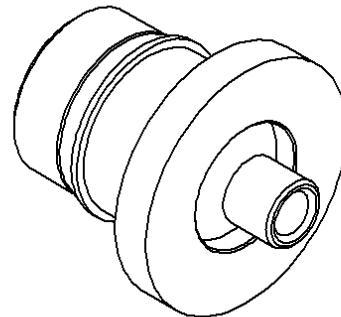
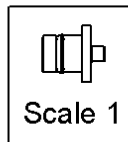
Series : SMP



PANEL CUT OUT



		mm	
		Maxi	mini
A		4.95	4.9



All dimensions are in mm.



COMPONENTS	MATERIALS	PLATINGS (µm)
BODY	STAINLESS STEEL + BRASS	PASSIVATED + GOLD1.3 OVER NICKEL2
CENTER CONTACT	BERYLLIUM COPPER	GOLD 1.27 OVER NICKEL 1.27
OUTER CONTACT	-	-
INSULATOR	PTFE	-
GASKET	-	-
OTHERS PARTS	BERYLLIUM COPPER	BBR 2
-	-	-
-	-	-

Issue : 0745 B

In the effort to improve our products, we reserve the right to make changes judged to be necessary.



SNAP-IN STRAIGHT MALE JACK

R222.221.702

SMOOTH BORE SOLDER TYPE CABLE .047

Series : SMP

PACKAGING

Standard	Unit	Other
100	'W' option	Contact us

SPECIFICATION

ELECTRICAL CHARACTERISTICS

Impedance		50	Ω
Frequency		0-40	GHz
VSWR	1.50 +	0,0000	x F(GHz) Maxi
Insertion loss		0.12	\sqrt{F} (GHz) dB Maxi
RF leakage	- (- F(GHz)) dB Maxi
Voltage rating		335	Veff Maxi
Dielectric withstanding voltage		500	Veff mini
Insulation resistance		5000	M Ω mini

CABLE ASSEMBLY

Stripping	a	b	c	d	e	f
mm	1,30	0,00	0,00	0,00	0,00	0,00

Assembly instruction :

Recommended cable(s)
UT47 M17/151-00001

MECHANICAL CHARACTERISTICS

Center contact retention			
Axial force – Mating end		NA	N mini
Axial force – Opposite end		NA	N mini
Torque		NA	N.cm mini

Characteristics indicated on this data sheet are those that can be achieved with the highest performance cable. Intrinsic limitations of the cable may diminish the performance of the assembly

Cable retention

- pull off		45	N mini
- torque		NA	N.cm

TOOLING

Recommended torque			
Mating		NA	N.cm
Panel nut		NA	N.cm
Clamp nut		NA	N.cm
A/F clamp nut		0,0000	mm
Mating life		1000	Cycles mini
Weight		0,9230	g

Part Number	Description	Hexagon
.	.	.
R282.740.030	SOLDERING MOUNTING	
R282.743.100	POSITIONER FOR SOLDERING SMP	
R282.744.254	POSITIONER FOR SOLDERING SMP	

ENVIRONMENTAL

Operating temperature		-65/+165	$^{\circ}$ C
Hermetic seal		NA	Atm.cm3/s
Panel leakage		NA	

OTHERS CHARACTERISTICS

RF Leakage -80dB DC-3 GHz
-65 3-26.5 GHz
Compliant with MIL-STD-348

Issue : 0745 B

In the effort to improve our products, we reserve the right to make changes judged to be necessary.



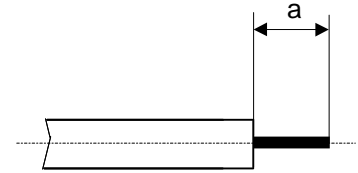
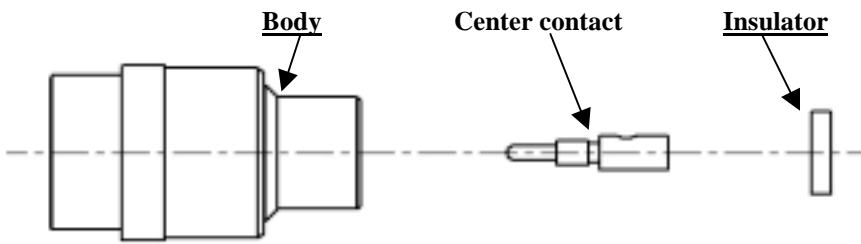
SNAP-IN STRAIGHT MALE JACK
SMOOTH BORE SOLDER TYPE CABLE .047

R222.221.702

Series : SMP

COMPONENTS

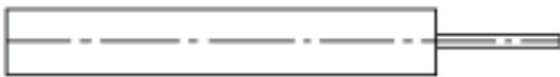
STRIPPING CABLES



We recommend a thermal preconditioning cable

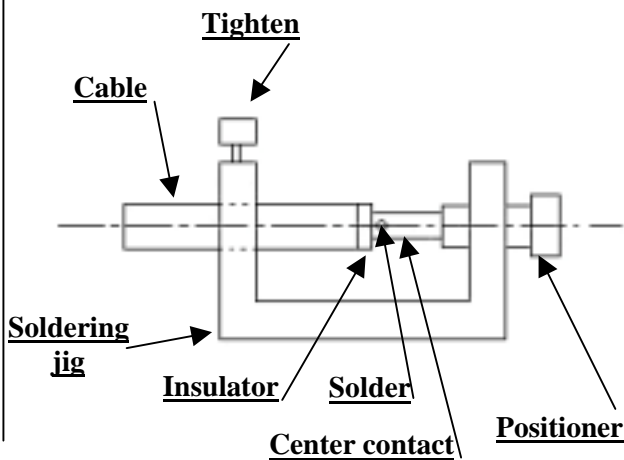
1

Strip the dielectric of the cable .
 Clean the cable .
 Soldering 180°C
 Temperature stoking do not exceeded 250°C



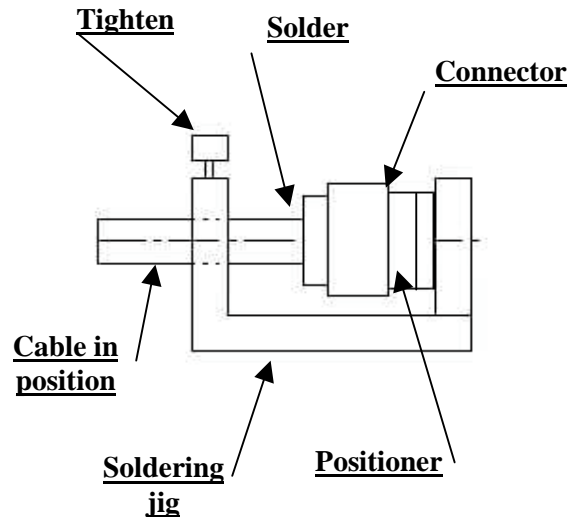
2

Screw the positioner onto the soldering jig.
 Slide the center contact onto the cable inner conductor
 against insulator.
 Fit the cable assembly onto the soldering jig..
 Solder the contact.



3

After cooling remove cable assembly from the jig.
 Insert cable+centre contact in the connector.
 Slide the positioner in the connector interface.
 Slide cable into the connector body until it bottoms
 against.
 Slide positoner into the assembly.
 Tighten.
 Solder the body onto the cable.
 After cooling remove cable assembly from the jig.



Issue : 0745 B

In the effort to improve our products, we reserve the right to make changes judged to be necessary.

