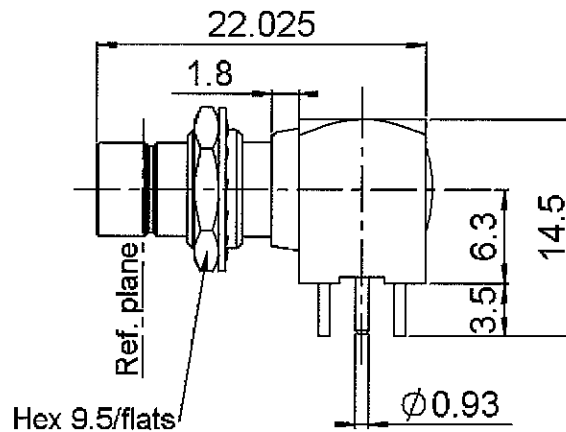
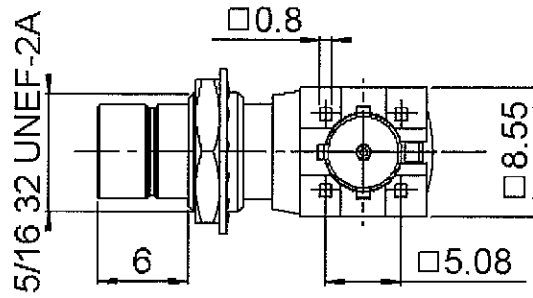


RIGHT ANGLE BULKHEAD PCB RECEPTACLE

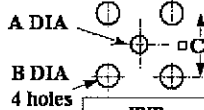
R214.670.310

SOLDER LEGS

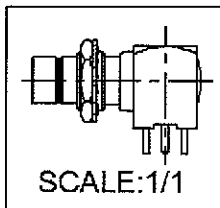
Series : BT43



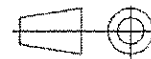
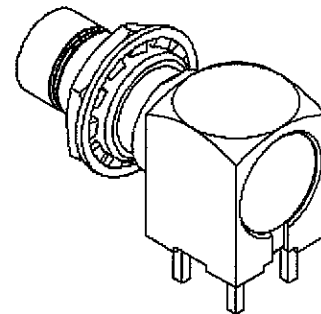
PANEL CUT OUT



	mm	
	Maxi	mini
A	1.5	1.2
B	1.4	1.3
C	5.16	5



All dimensions are in mm.



COMPONENTS

MATERIALS

PLATINGS (µm)

BODY
 CENTER CONTACT
 OUTER CONTACT
 INSULATOR
 GASKET
 OTHERS PARTS
 -
 -

BRASS
 BRASS
 -
 PTFE
 -
 BRASS
 -
 -

GOLD 0.8 OVER NICKEL 2
 GOLD 0.8 OVER COPPER 2
 NICKEL 2.5

Issue : 0611 A

In the effort to improve our products, we reserve the right to make changes judged to be necessary.



RIGHT ANGLE BULKHEAD PCB RECEPTACLE
SOLDER LEGS

R214.670.310

Series : **BT43**

PACKAGING

SPECIFICATION

Standard	Unit	Other
160	'W' option	Contact us

ELECTRICAL CHARACTERISTICS

ENVIRONMENTAL

Impedance		75 Ω
Frequency		0-3 GHz
VSWR	1.25 +	0 x F(GHz) Maxi
Insertion loss		NA √F(GHz) dB Maxi
RF leakage	- (-60 - F(GHz)) dB Maxi
Voltage rating		500 Veff Maxi
Dielectric withstanding voltage		1500 Veff mini
Insulation resistance		500 MΩ mini

Operating temperature	-40/+100 °C
Hermetic seal	NA Atm.cm3/s
Panel leakage	NA

OTHERS CHARACTERISTICS

Assembly instruction

Others :
Measured at 2.4 GHz

MECHANICAL CHARACTERISTICS

Center contact retention		
Axial force – Mating end		22 N mini
Axial force – Opposite end		NA N mini
Torque		NA N.cm mini
Recommended torque		
Mating		0 N.cm
Panel nut		170 N.cm
Mating life		250 Cycles mini
Weight		7.14 g

CUSTOMER'S APPROVAL
Department or company's stamp
Name :
Date :
Copy to send back to RADIALL S.A. BEFORE :

Issue : **0611 A**

In the effort to improve our products, we reserve the right to make changes judged to be necessary.



PRELIMINARY