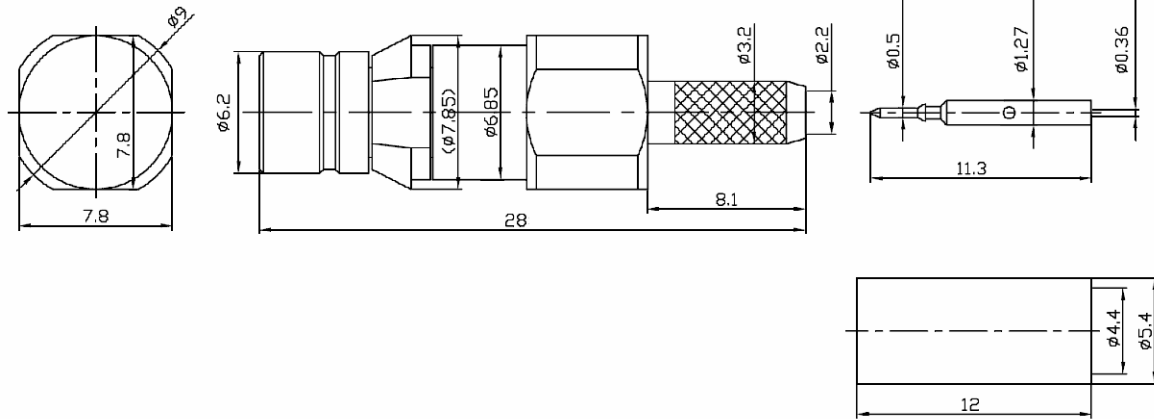


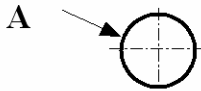
**STRAIGHT CONNECTOR C-C MALE CRIMP TYPE**  
**CABLE 3.6/75 DOUBLE SCREEN (BLK20)**

**R214.320.722**

Series : UHDC 43

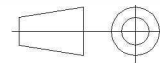


**PANEL CUT OUT**



		mm	
		Maxi	mini
A		7.35	7.05

All dimensions are in mm.



COMPONENTS	MATERIALS	PLATING (µm)
<b>BODY</b>	<b>BRASS</b>	<b>NICKEL</b>
<b>CENTER CONTACT</b>	<b>BRONZE</b>	<b>GOLD OVER NICKEL</b>
<b>OUTER CONTACT</b>	<b>BRASS</b>	<b>GOLD OVER NICKEL</b>
<b>INSULATOR</b>	<b>PTFE</b>	
<b>GASKET</b>	<b>ABS</b>	
<b>OTHERS PARTS</b>	<b>BRASS</b>	<b>NICKEL</b>
-	-	-
-	-	-

Issue : 1132 F

In the effort to improve our products, we reserve the right to make changes judged to be necessary.



**STRAIGHT CONNECTOR C-C MALE CRIMP TYPE**

**R214.320.722**

**CABLE 3.6/75 DOUBLE SCREEN (BLK20)**

Series : UHDC 43

**PACKAGING**

Standard	Unit	Other
<b>20</b>	-	<b>Contact us</b>

**SPECIFICATION**

**ELECTRICAL CHARACTERISTICS**

Impedance		<b>75</b> Ω
Frequency		<b>0-3</b> GHz
VSWR	<b>1.25*</b> + <b>0.0000</b>	x F(GHz) Maxi
Insertion loss		<b>NA</b> √F(GHz) dB Maxi
RF leakage	- (	<b>NA</b> - F(GHz)) dB Maxi
Voltage rating		<b>500</b> Veff Maxi
Dielectric withstanding voltage		<b>1500</b> Veff mini
Insulation resistance		<b>500</b> MΩ mini

**CABLE ASSEMBLY**

Stripping	a	b	c	d	e	f
mm	4.50	8.00	21.0	0.00	16.5	0.00

Assembly instruction : **NA**

Recommended cable(s)  
BT3002

**MECHANICAL CHARACTERISTICS**

Center contact retention		
Axial force – Mating end	<b>22</b>	N mini
Axial force – Opposite end	<b>NA</b>	N mini
Torque	<b>NA</b>	N.cm mini

Characteristics indicated on this data sheet are those that can be achieved with the highest performance cable. Intrinsic limitations of the cable may diminish the performance of the assembly

Cable retention

- pull off	<b>150</b>	N mini
- torque	<b>NA</b>	N.cm

**TOOLING**

Part Number	Description	Hexagon
R282.265.002	CRIMPING DIES Q92435	4.52
R282.281.010	CRIMPING TOOL MH800	
R282.287.000	CRIMPING TOOL Q92316	

Recommended torque		
Mating	<b>NA</b>	N.cm
Panel nut	<b>NA</b>	N.cm
Clamp nut	<b>NA</b>	N.cm
A/F clamp nut	<b>0.0000</b>	mm
Mating life	<b>250</b>	Cycles mini
Weight	<b>6.5000</b>	g

**ENVIRONMENTAL**

Operating temperature	<b>-40/+100</b>	° C
Hermetic seal	<b>NA</b>	Atm.cm3/s
Panel leakage	<b>NA</b>	

**OTHER CHARACTERISTICS**

\*0-1GHZ

Issue : 1132 F

In the effort to improve our products, we reserve the right to make changes judged to be necessary.



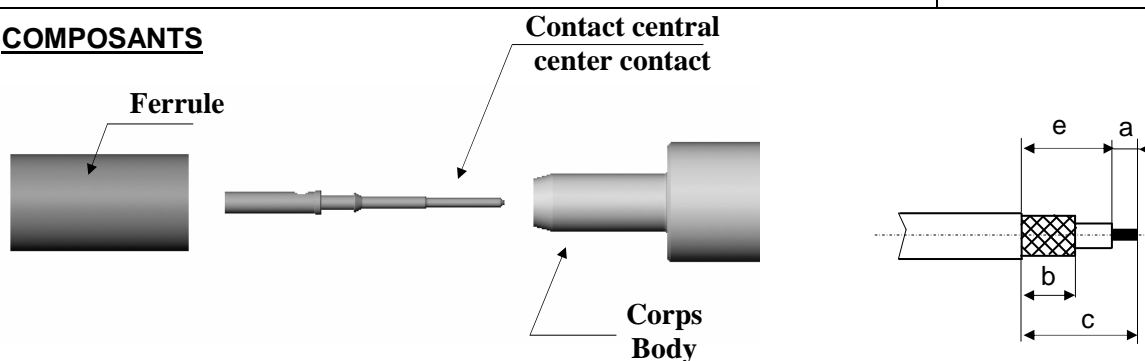
**STRAIGHT CONNECTOR C-C MALE CRIMP TYPE**

**R214.320.722**

**CABLE 3.6/75 DOUBLE SCREEN (BLK20)**

Series : UHDC 43

**COMPOSANTS**



**Fig - 1**

Slide the ferrule onto the cable.  
Strip the cable.

Glisser la ferrule sur le câble.  
Dénuder le câble suivant les cotes ci dessus.

**Fig - 2**

Place adaptor onto the cable until it bottoms against dielectric.  
Slide the centre contact into the adaptor until it bottoms against the cable dielectric.  
Crimp the centre contact with crimping tool ( see connector TDS ).

Placer l'adaptateur sur le câble en buté contre le diélectrique  
Monter le contact central dans l'adaptateur en butée contre le diélectrique du câble.  
Sertir le contact central avec la pince ( voir fiche technique du connecteur ).

**Fig - 3**

Fan the braid.

Epanouir la tresse .

**Fig - 4**

Slide the cable into the body until it bottoms against insulator (push home until a click is felt) and slide the ferrule onto the braid .

Monter le câble dans le corps en butée contre l'isolant jusqu'à encliquetage du contact central.  
Glisser la ferrule sur la tresse.

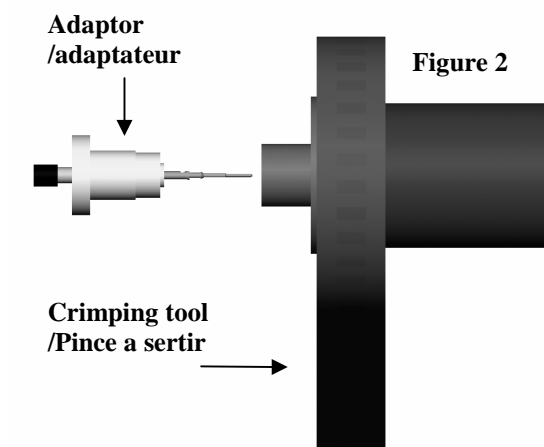
**Fig - 5**

Slide the ferrule over the braid.  
Crimp the ferrule with crimping tool ( see connector TDS ).  
Cut the excess of braid if necessary.

Sertir la ferrule avec la pince ( voir fiche technique du connecteur ).  
Enlever le surplus de tresse.



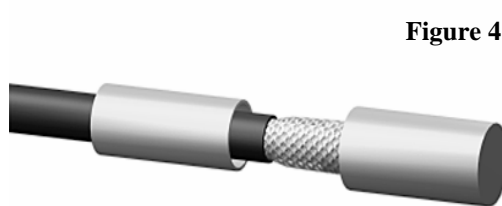
**Figure 1**



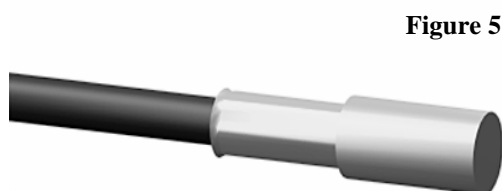
**Figure 2**



**Figure 3**



**Figure 4**



**Figure 5**

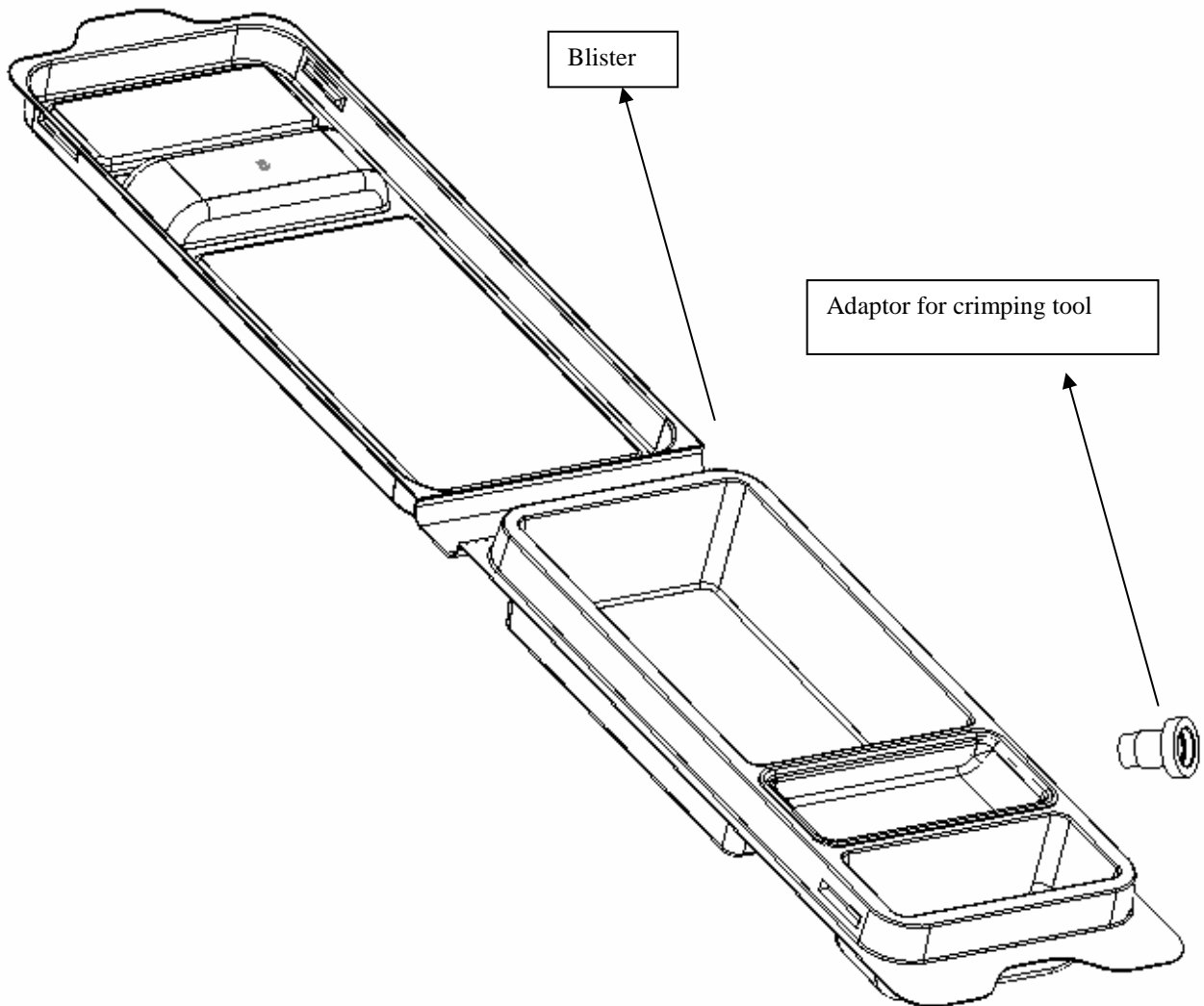
**Issue : 1132 F**

In the effort to improve our products, we reserve the right to make changes judged to be necessary.



**STRAIGHT CONNECTOR C-C MALE CRIMP TYPE****R214.320.722****CABLE 3.6/75 DOUBLE SCREEN (BLK20)**

Series : UHDC 43

**PACKAGING – BLK ( BULK )****Issue : 1132 F**

In the effort to improve our products, we reserve the right to make changes judged to be necessary.

**RADIALL** 