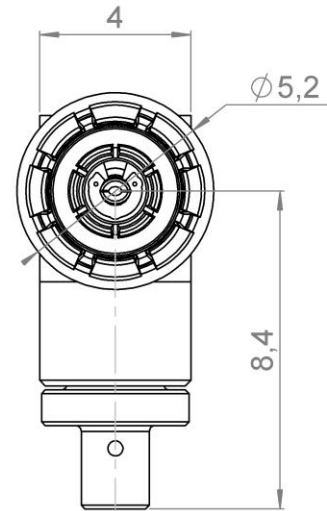
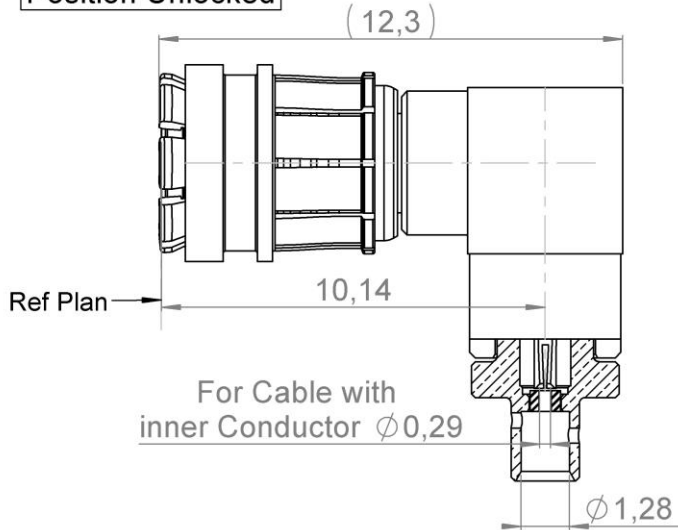
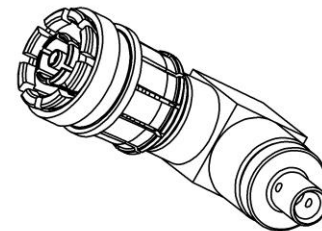
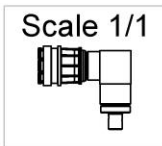
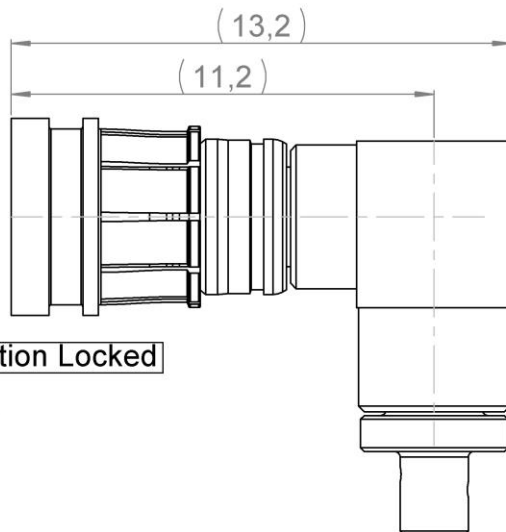


PAGE 1/5	ISSUE 22-10-20-A	SERIES SMPM-L	PART NUMBER R201L80310
----------	------------------	---------------	------------------------

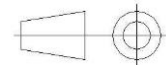
Position Unlocked



Position Locked



All dimensions are in mm. Tolerances according ISO 2768 m-H



COMPONENTS	MATERIALS	PLATING (μm)
Body	BERYLLIUM COPPER	NPGR
Center contact	BERYLLIUM COPPER	GOLD 1.3 OVER NICKEL2
Outer contact	BERYLLIUM COPPER	NPGR
Insulator	PTFE+PEEK	
Gasket	-	
Others parts	BRONZE,BERYLLIUM COPPER	NICKEL, GOLD
Rear Body	BERYLLIUM COPPER	N2PGR
-	-	-

PAGE 2/5	ISSUE 22-10-20-A	SERIES SMPM-L	PART NUMBER R201L80310
-----------------	-------------------------	----------------------	-------------------------------

PACKAGING

Standard	Unit	Other
100	Contact us	Contact us

ELECTRICAL CHARACTERISTICS

Impedance	50	Ω
Frequency	0-65	GHz
VSWR	* + 0,00	x F(GHz) Maxi
Insertion loss	0.12	\sqrt{F} (GHz) dB Maxi
RF leakage	- (**	- F(GHz)) dB Maxi
Voltage rating	125	Veff Maxi
Dielectric withstanding voltage	250	Veff mini
Insulation resistance	5000	M Ω mini

MECHANICAL CHARACTERISTICS

Center contact retention		
Axial force – Mating End	6.7	N mini
Axial force – Opposite end	6.7	N mini
Torque	NA	N.cm mini
Recommended torque		
Mating	NA	N.cm
Panel nut	NA	N.cm
Clamp nut	NA	N.cm
A/F clamp nut	0,00	mm
Mating life	500	Cycles mini
Nominal Weight (Add +15% for max weight)	1,58	g

ENVIRONMENTAL

Operating temperature	-65/+165	$^{\circ}\text{C}$
Hermetic seal	NA	Atm.cm3/s
Panel leakage	NA	

SPECIFICATION

CABLE ASSEMBLY

Stripping	a	b	c	d	e	f
mm	7,00	3,00	1,80	-	-	-

Assembly instruction:

Recommended cable(s)

047SC-2901
UT47 M17/151-00001

Characteristics indicated on this data sheet are those that can be achieved with the highest performance cable. Intrinsic limitations of the cable may diminish the performance of the assembly

Cable retention

- pull off (Temp-flex .047)	25	N mini
- pull off (Semi-rigid cable)	45	N mini
- torque	NA	N.cm

TOOLING

Part Number	Description	Hexagon
R282740060	BRAZING TOOL SMPM-LOCK	
R282868370	LOCK AND UNLOCK TOOL FOR SMPM-L	OPTION-1
R282918230	LOCK AND UNLOCK TOOL FOR SMPM-L	OPTION-2

OTHER CHARACTERISTICS

(RF performance depend on the cable use)

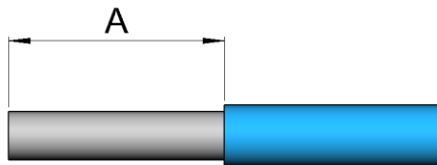
- * **1.2 : DC - 25 Ghz**
- * **1.2 +0.006 x F (Ghz) : 25 - 40 Ghz**
- * **1.44 +0.016 x F (Ghz) : 40 - 65 Ghz**

**** -80dB up to 3GHz**

PAGE 3/5	ISSUE 22-10-20-A	SERIES SMPM-L	PART NUMBER R201L80310
----------	------------------	---------------	------------------------

For flexible cable

Before stripping, strip jacket and deep tin the naked braid.



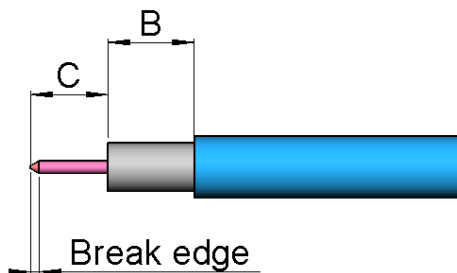
For Semi Rigid cable

We recommend a cable thermal preconditioning



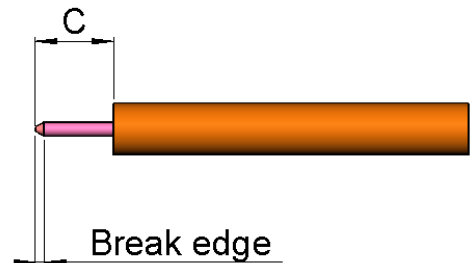
1A

- Strip the cable inner conductor.
- Make a Chamfer
- Clean the cable



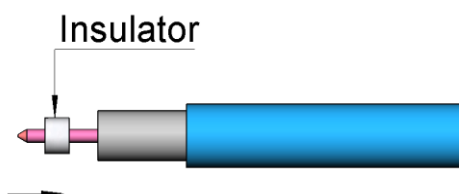
1B

- Strip the cable inner conductor.
- Make a Chamfer
- Clean the cable



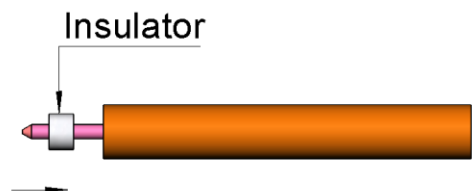
2A

- Slide the insulator onto the cable inner conductor.



2B

- Slide the insulator onto the cable inner conductor.

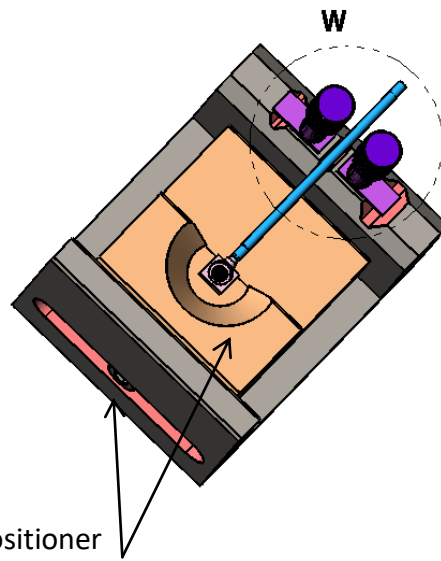
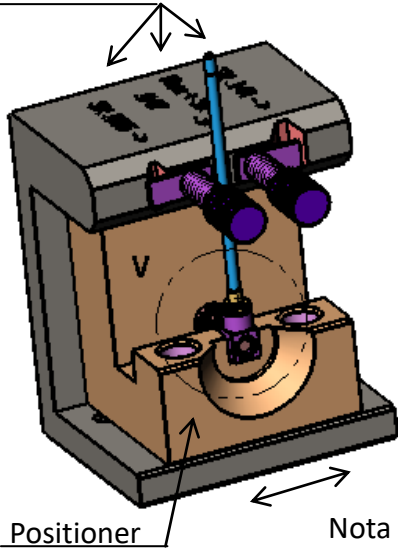


PAGE 4/5	ISSUE 22-10-20-A	SERIES SMPM-L	PART NUMBER R201L80310
----------	------------------	---------------	------------------------

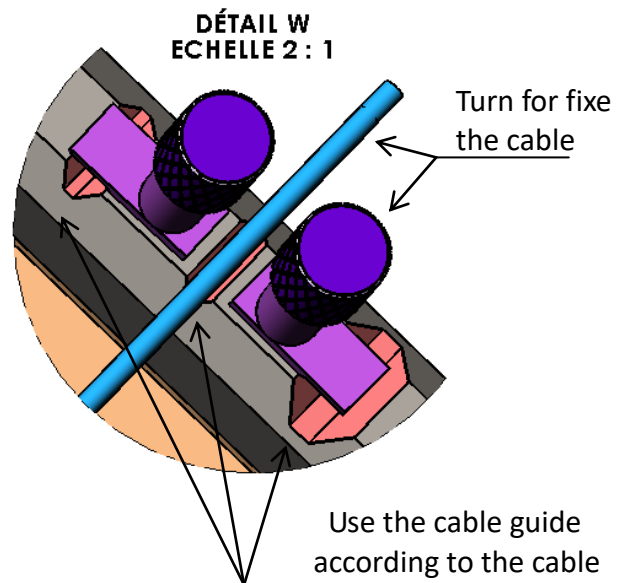
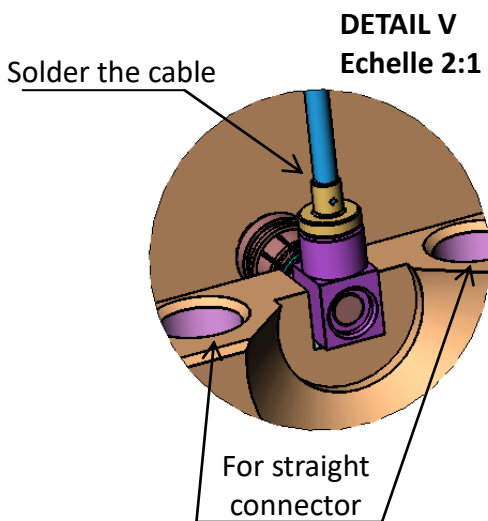
3

- Introduce the cable into the connector body and place the assembly into the positioner
- Pushed the cable into the connector body until it stops and fixe the cable
- Solder the cable into the connector body.
- After cooling remove cable assembly from the jig.

Cable in position
See Nota 1

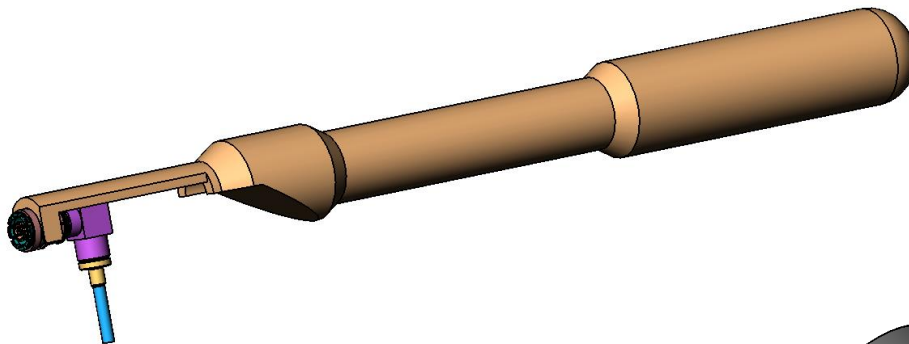
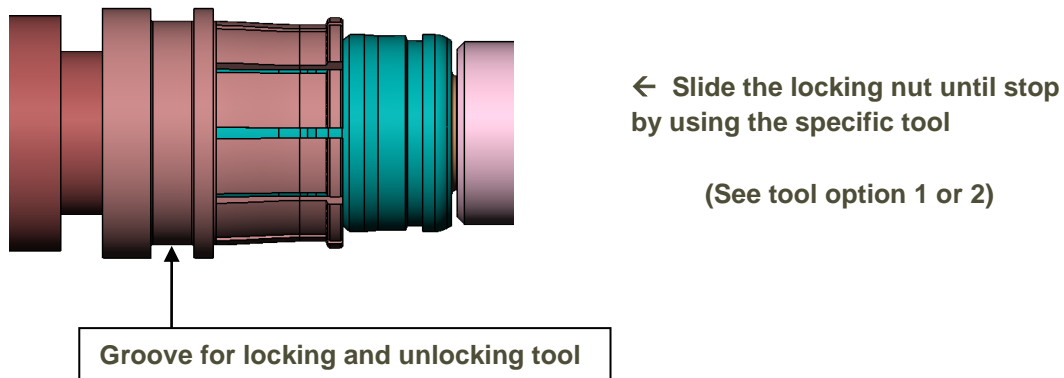
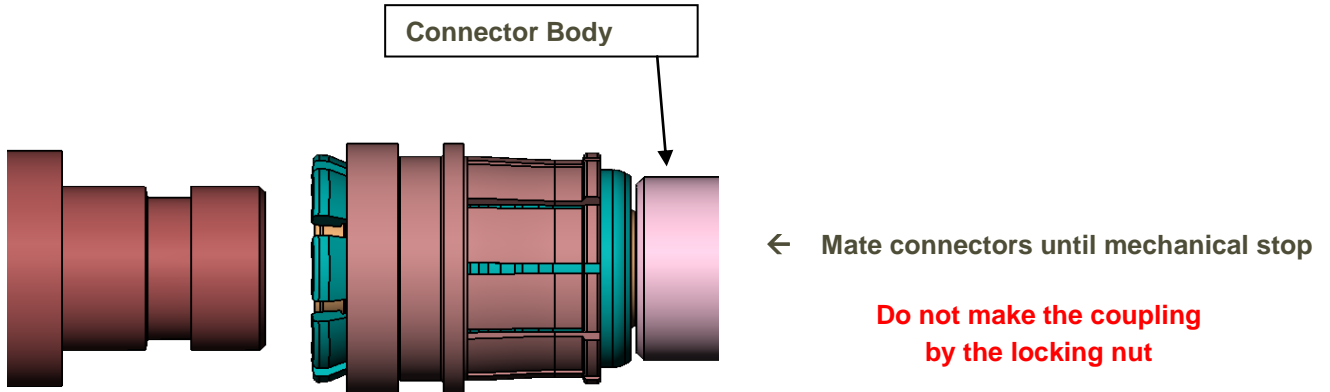


Nota 1: move the positioner in fonction of cable used

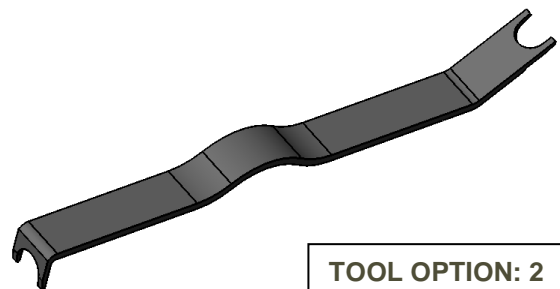


PAGE 5/5	ISSUE 22-10-20-A	SERIES SMPM-L	PART NUMBER R201L80310
----------	------------------	---------------	------------------------

MATING, LOCKING / UNLOCKING INSTRUCTIONS



TOOL OPTION: 1



TOOL OPTION: 2