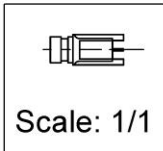
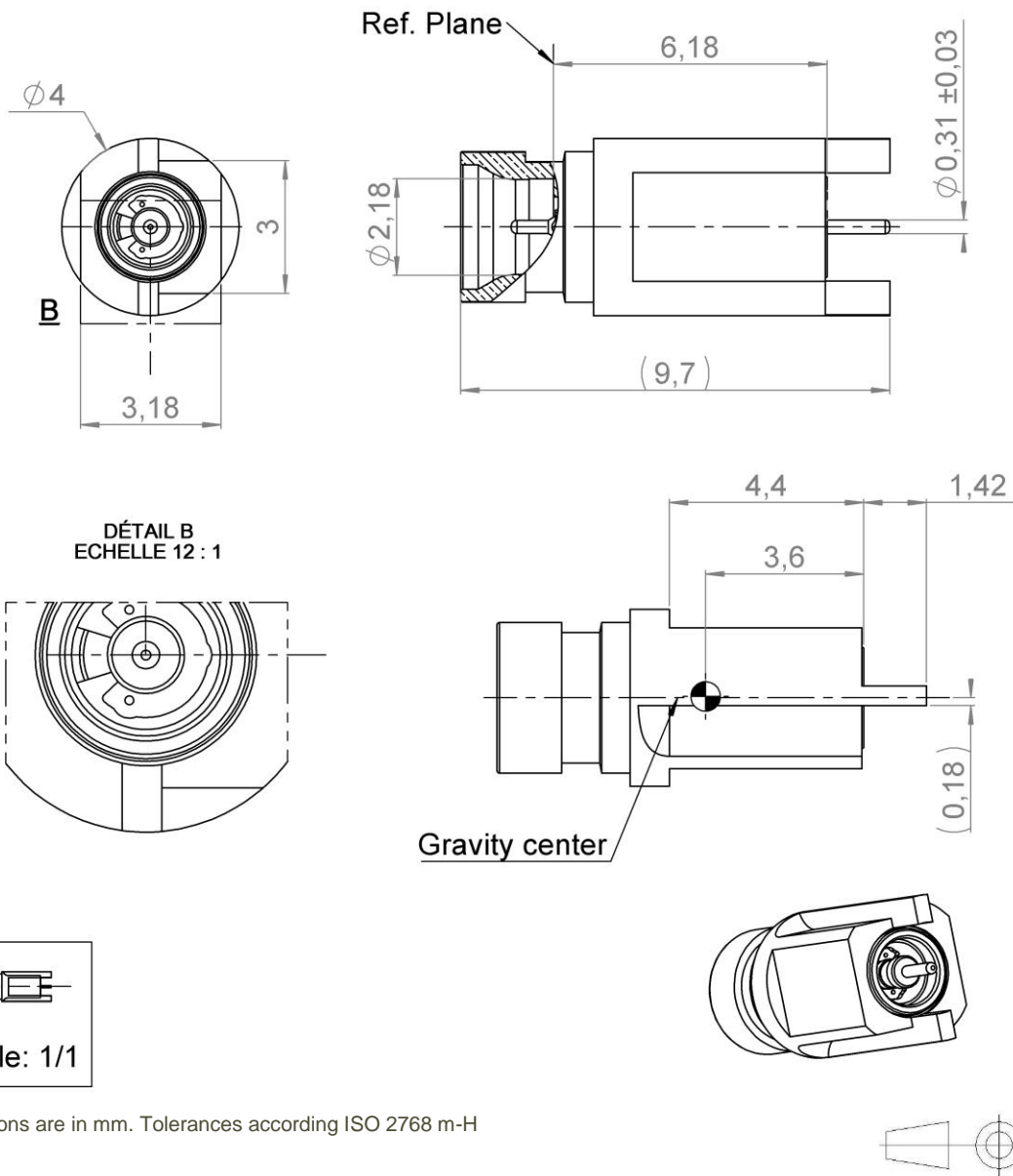


PAGE 1/4	ISSUE 22-10-20A	SERIES SMPM-L	PART NUMBER R201L00010
----------	-----------------	---------------	------------------------



All dimensions are in mm. Tolerances according ISO 2768 m-H

COMPONENTS	MATERIALS	PLATING (µm)
Body	<b>BERYLLIUM COPPER</b>	<b>N2PGR</b>
Center contact	<b>BERYLLIUM COPPER</b>	<b>N2PGR</b>
Outer contact		
Insulator	<b>PEEK</b>	
Gasket		
Others parts	<b>BERYLLIUM COPPER</b>	<b>N2PGR</b>
-	-	-
-	-	-

PAGE 2/4	ISSUE 22-10-20A	SERIES SMPM-L	PART NUMBER R201L00010
----------	-----------------	---------------	------------------------

### PACKAGING

Standard	Unit	Other
<b>500</b>	<b>'W' option</b>	<b>Contact us</b>

### ELECTRICAL CHARACTERISTICS

Impedance	<b>50</b>	$\Omega$
Frequency	<b>0-65</b>	GHz
VSWR	<b>* 0,00</b>	x F(GHz) Maxi
Insertion loss	<b>*.012</b>	$\sqrt{F}$ (GHz) dB Maxi
RF leakage	<b>**</b>	- F(GHz)) dB Maxi
Voltage rating	<b>125</b>	Veff Maxi
Dielectric withstanding voltage	<b>250</b>	Veff mini
Insulation resistance	<b>5000</b>	M $\Omega$ mini

### RECOMMENDED SOLDERING PARAMETERS

Solder paste deposit: Sn (96.5) - Ag (3.0) - Cu (0.5)  
 Granulometry from 25 to 36 micrometer  
 Deposit thickness: 100 micrometer  
 Flux: low residue  
 Soldering T°C according to IEC 61760-1  
 and max 10s at max 260°C

### MECHANICAL CHARACTERISTICS

Center contact retention		
Axial force – Mating End	<b>6.7</b>	N mini
Axial force – Opposite end	<b>6.7</b>	N mini
Torque	<b>NA</b>	N.cm mini
Recommended torque		
Mating	<b>NA</b>	N.cm
Panel nut	<b>NA</b>	N.cm
Mating life	<b>500</b>	Cycles mini
Nominal Weight (Add +15% for max weight)	<b>0,51</b>	g

### ENVIRONMENTAL

Operating temperature	<b>-65/+165</b>	°C
Hermetic seal	<b>NA</b>	Atm.cm3/s
Panel leakage		

### SPECIFICATION

### OTHER CHARACTERISTICS

Assembly instruction:

Others:

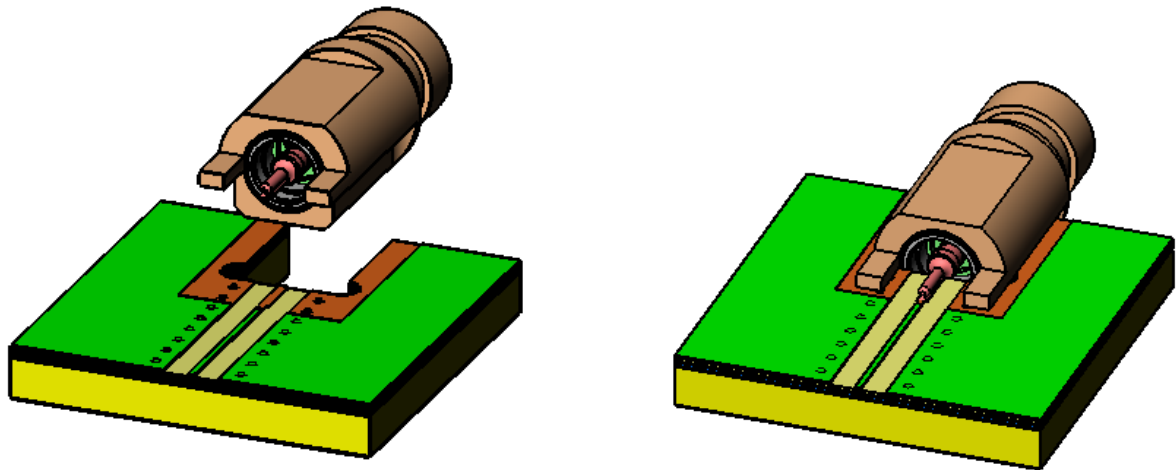
\* **1.15 (DC-26.5 GHz) 1.35 (26.5-40 GHz)**

\*\* **-80dB up to 3GHz**

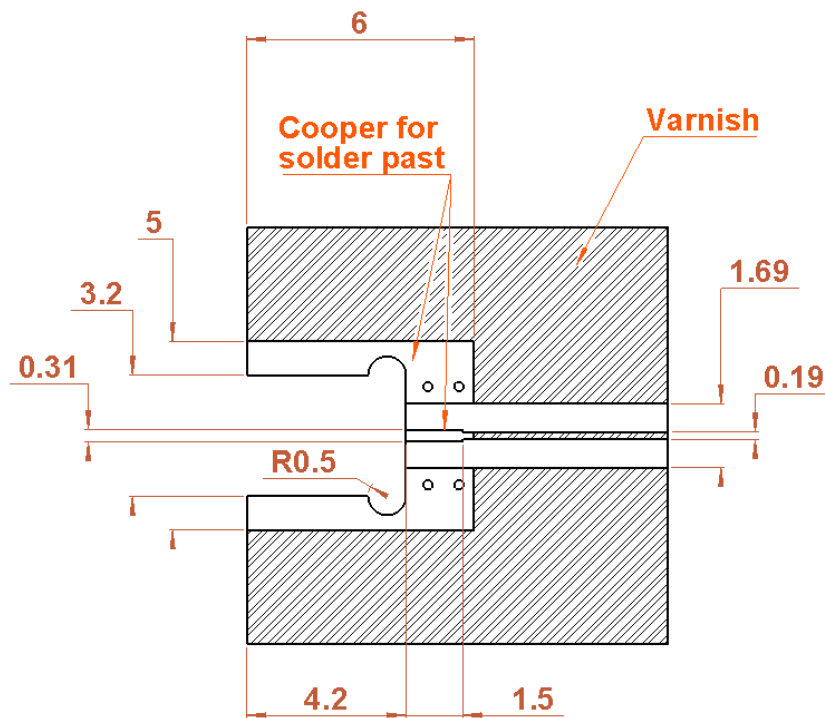
\* **Coaxial transmission line only**

\* **RF performances highly depend on PCB adaptation**

PAGE 3/4	ISSUE 22-10-20A	SERIES SMPM-L	PART NUMBER R201L00010
----------	-----------------	---------------	------------------------



**PCB Dimension**



PAGE 4/4	ISSUE 22-10-20A	SERIES SMPM-L	PART NUMBER R201L00010
----------	-----------------	---------------	------------------------

**PACKAGING**

