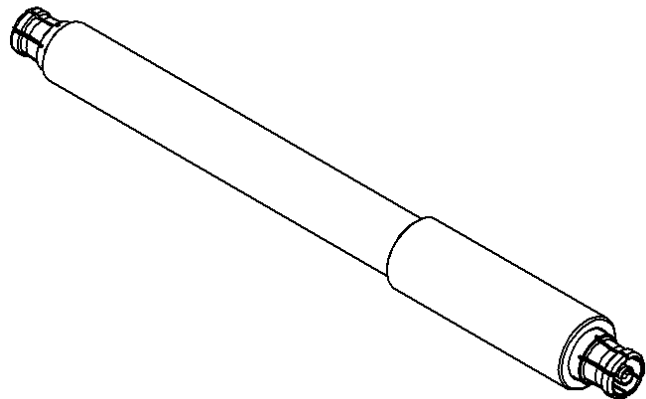
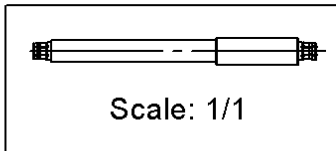
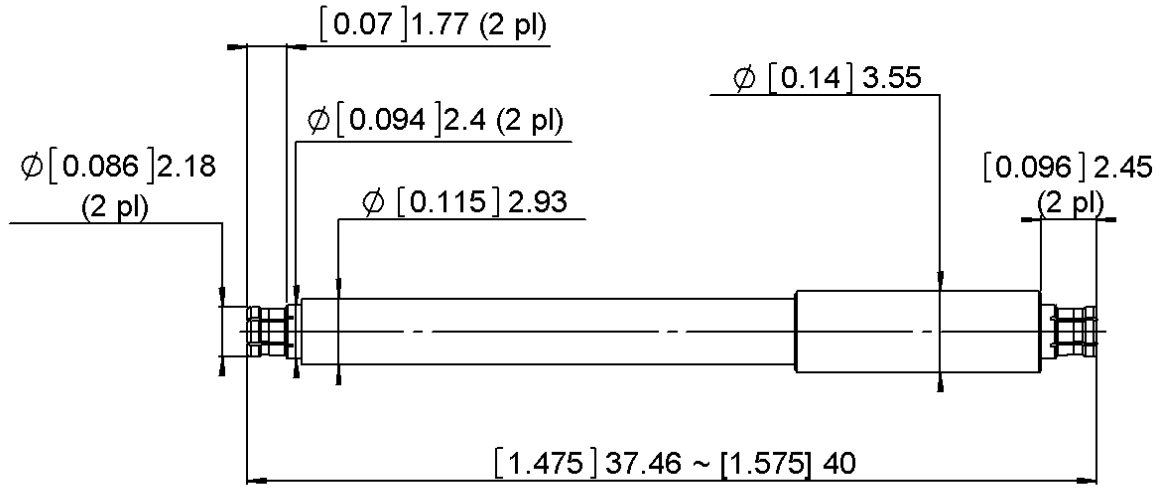
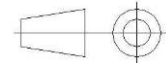


PAGE 1/2	ISSUE 12-04-16A	SERIES SMPM	PART NUMBER R201723130
----------	-----------------	-------------	------------------------



All dimensions are in mm.



COMPONENTS	MATERIALS	PLATING (μm)
Body	BERYLLIUM COPPER	GOLD 0.8 OVER NICKEL 1.3
Center contact	BERYLLIUM COPPER	GOLD 1.27 OVER NICKEL 1.27
Outer contact		
Insulator	PEEK	
Gasket		
Others parts	STAINLESS STEEL	
-	-	-
-	-	-

PAGE 2/2	ISSUE 12-04-16A	SERIES SMPM	PART NUMBER R201723130
-----------------	------------------------	--------------------	-------------------------------

PACKAGING

Standard	Unit	Other
1	Contact us	Contact us

ELECTRICAL CHARACTERISTICS

Impedance		50		Ω
Frequency		0-22		GHz
VSWR	TBD	+	0.0000	x F(GHz) Maxi
Insertion loss		TBD		√F(GHz) dB Maxi
RF leakage	- (NA	- F(GHz) dB Maxi
Voltage rating		250		Veff Maxi
Dielectric withstanding voltage		350		Veff mini
Insulation resistance		5000		MΩ mini

ENVIRONMENTAL

Operating	-65/+125	°C
Hermetic seal	NA	Atm.cm3/s
Panel leakage	NA	

MECHANICAL CHARACTERISTICS

Center contact retention				
Axial force – Mating End		6.7		N mini
Axial force – Opposite end		6.7		N mini
Torque		NA		N.cm mini
Recommended torque				
Mating		0		N.cm
		0		N.cm
		0		N.cm
Panel nut		NA		N.cm
Mating life		500		Cycles mini
Weight		1.5600		g

SPECIFICATION

OTHER CHARACTERISTICS