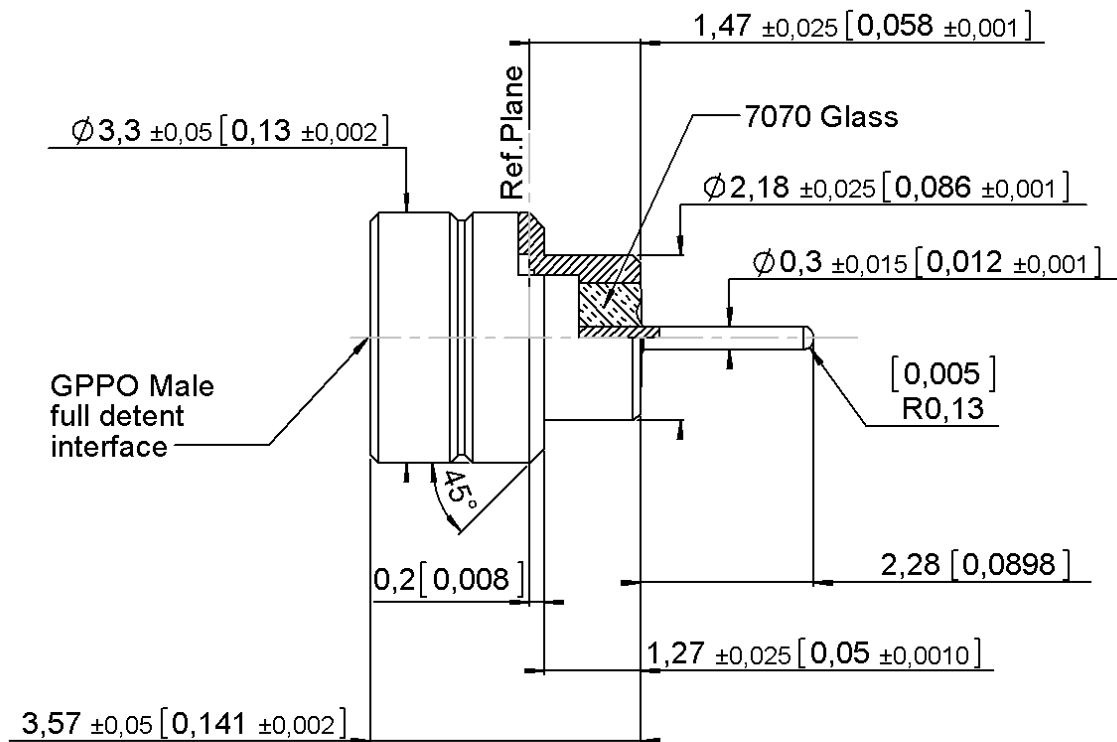
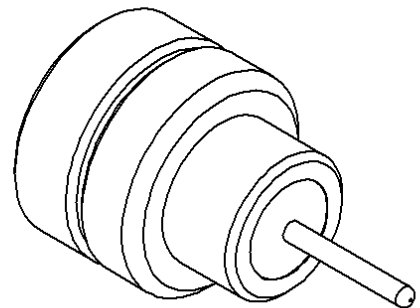


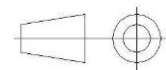
PAGE 1/3	ISSUE 30-05-16A	SERIES SMPM	PART NUMBER R201645020
----------	-----------------	-------------	------------------------



  
Scale : 1/1



All dimensions are in mm.



COMPONENTS	MATERIALS	PLATING (µm)
Body	<b>DILVER P1</b>	<b>GOLD OVER NICKEL</b>
Center contact	<b>DILVER P1</b>	<b>GOLD 0.5 OVER NICKEL 2</b>
Outer contact	-	-
Insulator	<b>GLASS</b>	-
Gasket	-	-
Others parts	-	-
-	-	-
-	-	-

PAGE 2/3	ISSUE <b>30-05-16A</b>	SERIES <b>SMPM</b>	PART NUMBER <b>R201645020</b>
----------	------------------------	--------------------	-------------------------------

**PACKAGING**

Standard	Unit	Other
<b>100</b>	<b>Contact us</b>	<b>Contact us</b>

**ELECTRICAL CHARACTERISTICS**

Impedance		<b>50</b>	Ω
Frequency		<b>0-40</b>	GHz
VSWR	<b>*1.35</b>	<b>+</b>	<b>0,0000</b> x F(GHz) Maxi
Insertion loss		<b>0.12</b>	√F(GHz) dB Maxi
RF leakage	- (	<b>NA</b>	- F(GHz)) dB Maxi
Voltage rating		<b>335</b>	Veff Maxi
Dielectric withstanding voltage		<b>500</b>	Veff mini
Insulation resistance		<b>5000</b>	MΩ mini

**ENVIRONMENTAL**

Operating temperature	<b>-65/+165</b>	°C
Hermetic seal	<b>10-8</b>	Atm.cm3/s
Panel leakage	<b>NA</b>	

**MECHANICAL CHARACTERISTICS**

Center contact retention			
Axial force – Mating End		<b>6.7</b>	N mini
Axial force – Opposite end		<b>6.7</b>	N mini
Torque		<b>NA</b>	N.cm mini
Recommended torque			
Mating		<b>NA</b>	N.cm
Panel nut		<b>NA</b>	N.cm
Mating life		<b>100</b>	Cycles mini
Weight		<b>0,1000</b>	g

**SPECIFICATION**

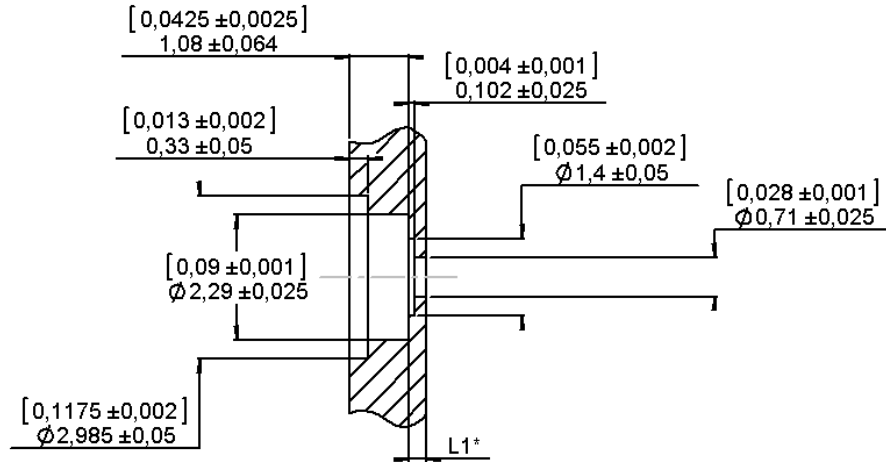
**OTHER CHARACTERISTICS**

Assembly instruction:

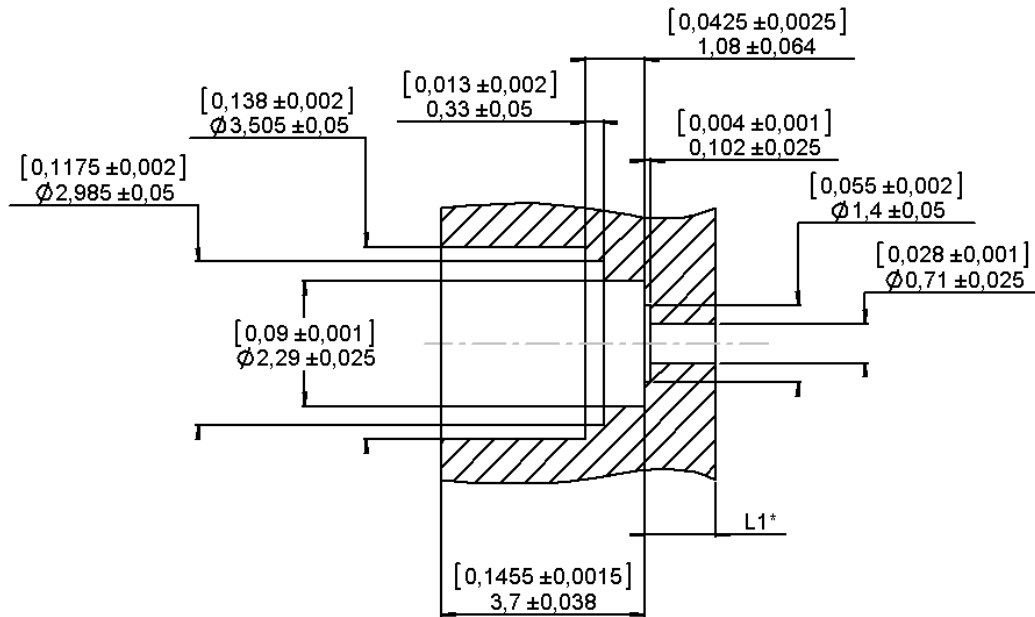
Others:  
**\*1.15 at 18 GHz**

PAGE 3/3	ISSUE 30-05-16A	SERIES SMPM	PART NUMBER R201645020
----------	-----------------	-------------	------------------------

PROTRUDING SHROUD MOUNTING HOLE



FLUSH SHROUD MOUNTING HOLE



\*L1 dimension have to be determined according to each application