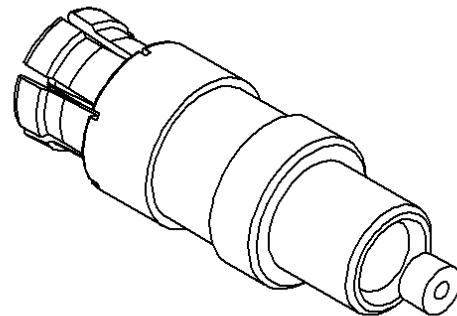
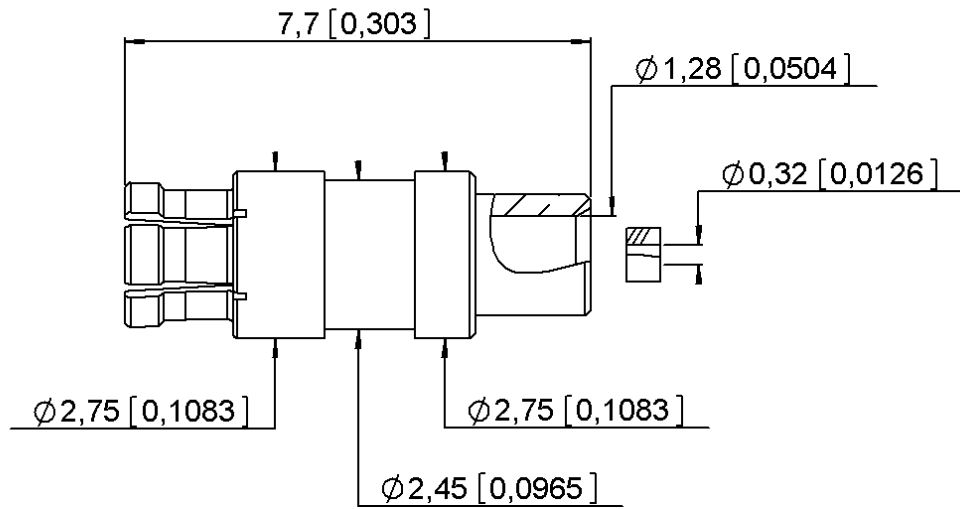


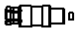
**STRAIGHT FEMALE CONNECTOR**

**R201.051.000**

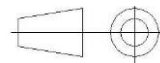
**SOLDER CABLE .047**

Series : **SMPM**



  
Scale : 1/1

All dimensions are in mm.



| COMPONENTS     | MATERIALS        | PLATING (µm)          |
|----------------|------------------|-----------------------|
| BODY           | BERYLLIUM COPPER | GOLD 1.3 OVER NICKEL2 |
| CENTER CONTACT | BERYLLIUM COPPER | GOLD 1.3 OVER NICKEL2 |
| OUTER CONTACT  | -                | -                     |
| INSULATOR      | PEEK             | -                     |
| GASKET         | -                | -                     |
| OTHERS PARTS   | -                | -                     |
| -              | -                | -                     |
| -              | -                | -                     |

Issue : 1217 A

In the effort to improve our products, we reserve the right to make changes judged to be necessary.



**STRAIGHT FEMALE CONNECTOR**

**R201.051.000**

**SOLDER CABLE .047**

Series : **SMPM**

**PACKAGING**

| Standard   | Unit              | Other             |
|------------|-------------------|-------------------|
| <b>100</b> | <b>'W' option</b> | <b>Contact us</b> |

**SPECIFICATION**

**ELECTRICAL CHARACTERISTICS**

|                                 |                       |                          |
|---------------------------------|-----------------------|--------------------------|
| Impedance                       | <b>50</b>             | $\Omega$                 |
| Frequency                       | <b>0-40</b>           | GHz                      |
| VSWR                            | <b>*1.35 + 0,0000</b> | x F(GHz) Maxi            |
| Insertion loss                  | <b>0.12</b>           | $\sqrt{F}$ (GHz) dB Maxi |
| RF leakage                      | - ( <b>NA</b> )       | - F(GHz)) dB Maxi        |
| Voltage rating                  | <b>335</b>            | Veff Maxi                |
| Dielectric withstanding voltage | <b>500</b>            | Veff mini                |
| Insulation resistance           | <b>5000</b>           | M $\Omega$ mini          |

**CABLE ASSEMBLY**

| Stripping | a    | b    | c    | d    | e    | f    |
|-----------|------|------|------|------|------|------|
| mm        | 1,30 | 0,00 | 0,00 | 0,00 | 0,00 | 0,00 |

Assembly instruction :

Recommended cable(s)  
UT47 M17/151-00001

**MECHANICAL CHARACTERISTICS**

|                            |            |           |
|----------------------------|------------|-----------|
| Center contact retention   |            |           |
| Axial force – Mating end   | <b>6.7</b> | N mini    |
| Axial force – Opposite end | <b>6.7</b> | N mini    |
| Torque                     | <b>NA</b>  | N.cm mini |

Characteristics indicated on this data sheet are those that can be achieved with the highest performance cable. Intrinsic limitations of the cable may diminish the performance of the assembly

Cable retention

|            |           |        |
|------------|-----------|--------|
| - pull off | <b>45</b> | N mini |
| - torque   | <b>NA</b> | N.cm   |

**TOOLING**

| Part Number  | Description                   | Hexagon |
|--------------|-------------------------------|---------|
|              |                               |         |
| R282.743.110 | POSITIONER FOR SOLDERING SMPM |         |
| R282.740.020 | SOLDERING MOUNTING            |         |

|                    |               |             |
|--------------------|---------------|-------------|
| Recommended torque |               |             |
| Mating             | <b>NA</b>     | N.cm        |
| Panel nut          | <b>NA</b>     | N.cm        |
| Clamp nut          | <b>NA</b>     | N.cm        |
| A/F clamp nut      | <b>0,0000</b> | mm          |
| Mating life        | <b>500</b>    | Cycles mini |
| Weight             | <b>0,1700</b> | g           |

**OTHER CHARACTERISTICS**

\*VSWR 1.15 AT 26.5 GHz

**ENVIRONMENTAL**

|                       |                 |              |
|-----------------------|-----------------|--------------|
| Operating temperature | <b>-40/+100</b> | $^{\circ}$ C |
| Hermetic seal         | <b>NA</b>       | Atm.cm3/s    |
| Panel leakage         | <b>NA</b>       |              |

Issue : 1217 A

In the effort to improve our products, we reserve the right to make changes judged to be necessary.

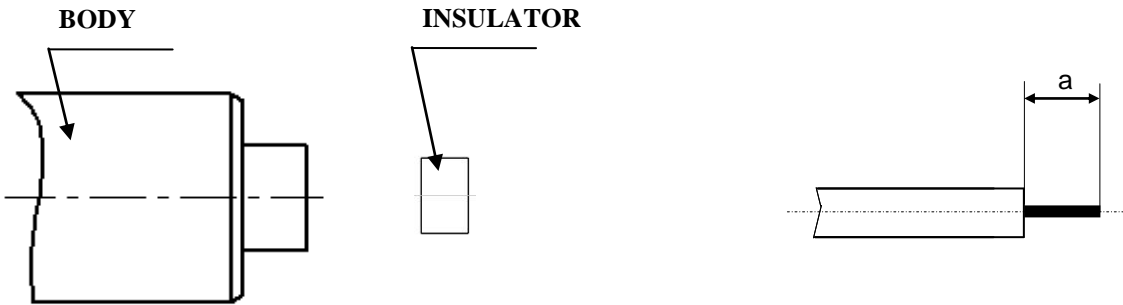


**STRAIGHT FEMALE CONNECTOR**  
**SOLDER CABLE .047**

**R201.051.000**

Series : SMPM

**COMPONENT**



**We recommend a cable thermal preconditioning before assembly**

