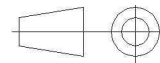
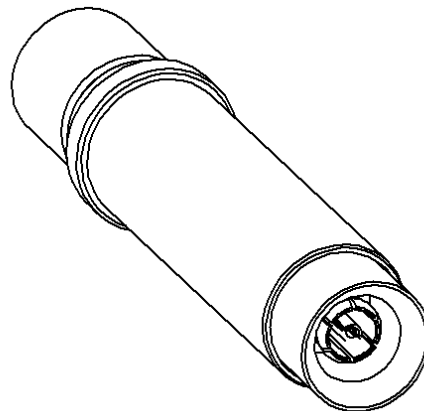
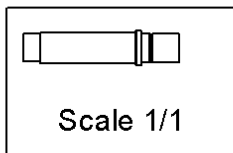
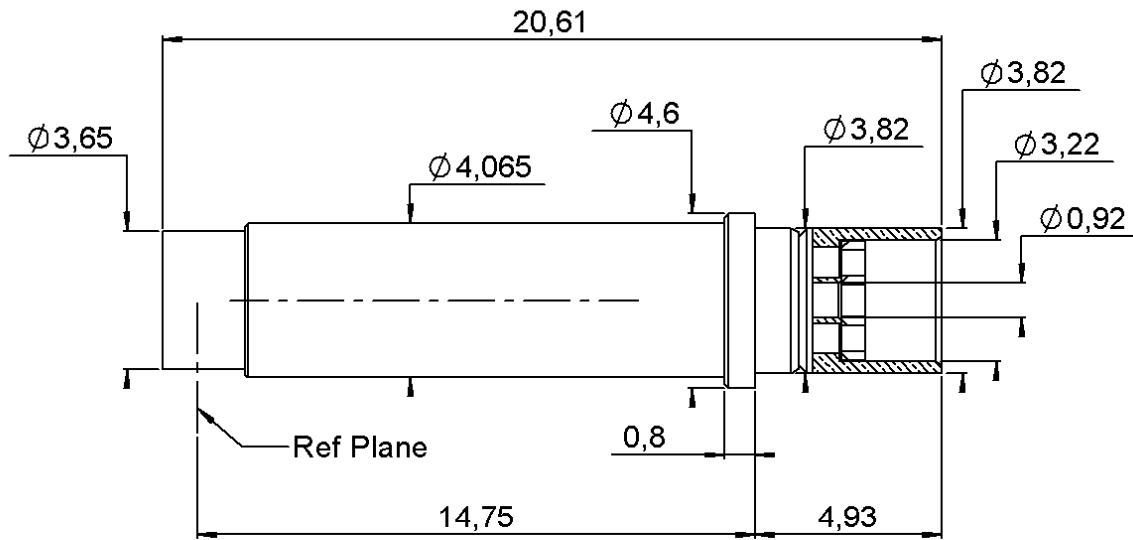


STRAIGHT FLOATING PLUG SOLDER TYPE
FOR CABLE SHF3M - 38999 SERIES

R199.012.252

Series : MCC #12



All dimensions are in mm.

COMPONENTS	MATERIALS	PLATING (µm)
BODY	BERYLLIUM COPPER - BRONZE	GOLD 1.3 OVER NICKEL 2
CENTER CONTACT	BERYLLIUM COPPER	GOLD 1.3 OVER NICKEL 2
OUTER CONTACT	-	-
INSULATOR	PTFE+PEEK	-
GASKET	-	-
OTHERS PARTS	BRONZE	GOLD 0.5 OVER NICKEL 2
SPRING	STAINLESS STEEL	-
-	-	-

Issue : 1329 B

In the effort to improve our products, we reserve the right to make changes judged to be necessary.



DRAFT

**STRAIGHT FLOATING PLUG SOLDER TYPE
FOR CABLE SHF3M - 38999 SERIES**

R199.012.252

Series : MCC #12

PACKAGING

Standard	Unit	Other
100	'W' option	Contact us

SPECIFICATION

ELECTRICAL CHARACTERISTICS

Impedance		50 Ω
Frequency		0-40 GHz
VSWR	* +	0,0000 x F(GHz) Maxi
Insertion loss		0.12 √F(GHz) dB Maxi
RF leakage	- (- F(GHz)) dB Maxi
Voltage rating		335 Veff Maxi
Dielectric withstanding voltage		1000 Veff mini
Insulation resistance		5000 MΩ mini

CABLE ASSEMBLY

Stripping	a	b	c	d	e	f
mm	2,00	3,00	0,00	0,00	0,00	0,00

Assembly instruction :

Recommended cable(s)
SHF3M

Characteristics indicated on this data sheet are those that can be achieved with the highest performance cable. Intrinsic limitations of the cable may diminish the performance of the assembly

Cable retention

- pull off **40N** N mini
- torque **NA** N.cm

MECHANICAL CHARACTERISTICS

Center contact retention		
Axial force – Mating end	6.7	N mini
Axial force – Opposite end	6.7	N mini
Torque	NA	N.cm mini

TOOLING

See Page 3

Part Number	Description	Hexagon
.	.	.

Recommended torque		
Mating	NA	N.cm
Panel nut	NA	N.cm
Clamp nut	NA	N.cm
A/F clamp nut	0,0000	mm

OTHER CHARACTERISTICS

- *1.15 (DC-26 GHz) 1.25 (26GHz-40GHz)
- ** -80dB (DC-3 GHz) -65dB (3 GHz-26GHz)

Mating life	500	Cycles mini
Weight	1,2000	g

ENVIRONMENTAL

Operating temperature	-65/+165	°C
Hermetic seal	NA	Atm.cm3/s
Panel leakage	NA	

Issue : 1329 B

In the effort to improve our products, we reserve the right to make changes judged to be necessary.

RADIALL 

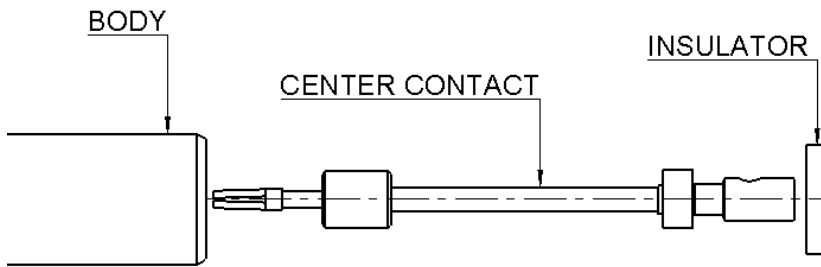
DRAFT

**STRAIGHT FLOATING PLUG SOLDER TYPE
FOR CABLE SHF3M - 38999 SERIES**

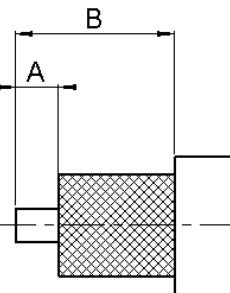
R199.012.252

Series : MCC #12

COMPONENTS

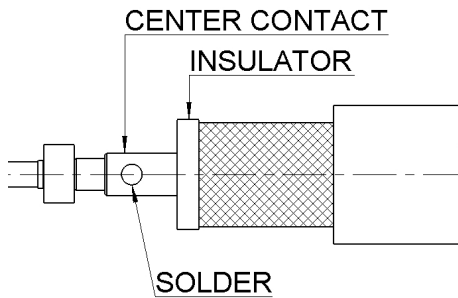


STRIPPING DIMENSIONS



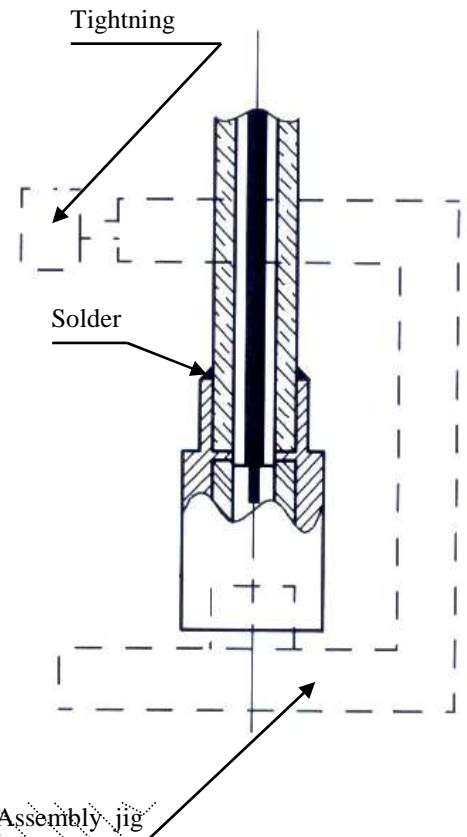
1

Strip the Cable .
Slide the Insulator onto the inner conductor cable .
Slide the Center contact until it contacts the insulator .
Solder the Center contact .



2

Slide cable into connector body until it contacts the body shoulder.
Place sub assembly into the assembly jig : R282.740.000 (or equivalent)
Solder body onto cable.
Let the assembly cool down before removing it from the jig.
Clean the solder area.



Issue : 1329 B

In the effort to improve our products, we reserve the right to make changes judged to be necessary.



DRAFT