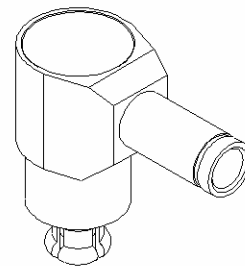
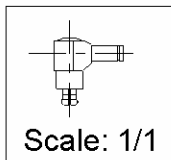
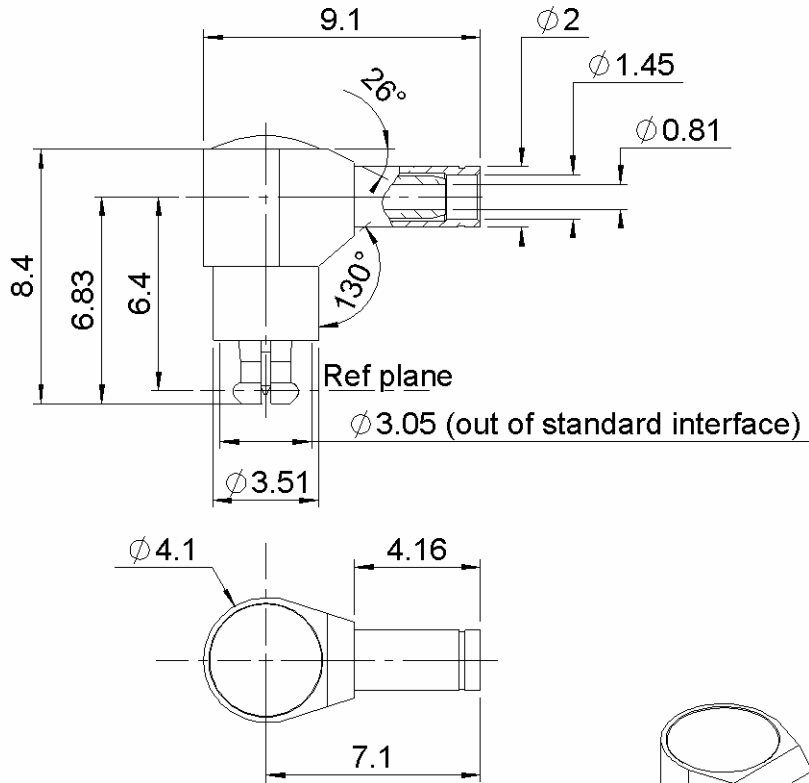


RIGHT ANGLE PLUG CRIMP TYPE

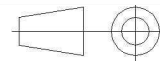
R199.005.310

CABLE 1/50 S

Series : MC-CARD TYPE



All dimensions are in mm.



COMPONENTS	MATERIALS	PLATING (µm)
BODY	BRASS	GOLD OVER NICKEL
CENTER CONTACT	BRASS	GOLD OVER NICKEL
OUTER CONTACT	BERYLLIUM COPPER	GOLD OVER NICKEL
INSULATOR	PTFE	
GASKET		
OTHERS PARTS	BRASS	GOLD OVER NICKEL
-	-	-
-	-	-

Issue : 1207 C

In the effort to improve our products, we reserve the right to make changes judged to be necessary.



RIGHT ANGLE PLUG CRIMP TYPE

R199.005.310

CABLE 1/50 S

Series : MC-CARD TYPE

PACKAGING

Standard	Unit	Other
100	'W' option	Contact us

SPECIFICATION

1080050053 03 .

ELECTRICAL CHARACTERISTICS

Impedance		50 Ω
Frequency		NA GHz
VSWR	NA +	0,0000 x F(GHz) Maxi
Insertion loss		NA √F(GHz) dB Maxi
RF leakage	- (NA	- F(GHz)) dB Maxi
Voltage rating		170 Veff Maxi
Dielectric withstanding voltage		500 Veff mini
Insulation resistance		5000 MΩ mini

CABLE ASSEMBLY

Stripping	a	b	c	d	e	f
mm	1,00	3,00	6,00	0,00	0,00	0,00

Assembly instruction :

Recommended cable(s)

Characteristics indicated on this data sheet are those that can be achieved with the highest performance cable. Intrinsic limitations of the cable may diminish the performance of the assembly

Cable retention

- pull off	58 N mini
- torque	NA N.cm

MECHANICAL CHARACTERISTICS

Center contact retention		
Axial force – Mating end	10	N mini
Axial force – Opposite end	10	N mini
Torque	NA	N.cm mini

Recommended torque		
Mating	NA	N.cm
Panel nut	NA	N.cm
Clamp nut	NA	N.cm
A/F clamp nut	0,0000	mm

Mating life	5000	Cycles mini
Weight	0,5300	g

TOOLING

Part Number	Description	Hexagon
.	.	.

OTHER CHARACTERISTICS

Warning: Cannot be mated with standard MC-card interface.

ENVIRONMENTAL

Operating temperature	-65/+165	° C
Hermetic seal	NA	Atm.cm3/s
Panel leakage	NA	

Issue : 1207 C

In the effort to improve our products, we reserve the right to make changes judged to be necessary.

