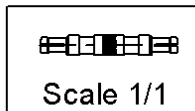
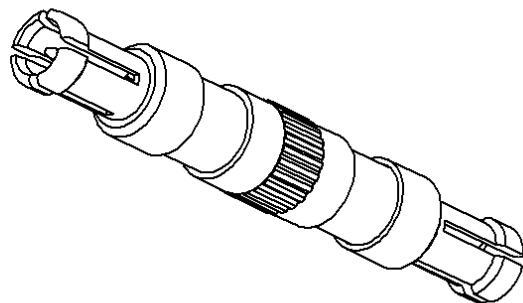
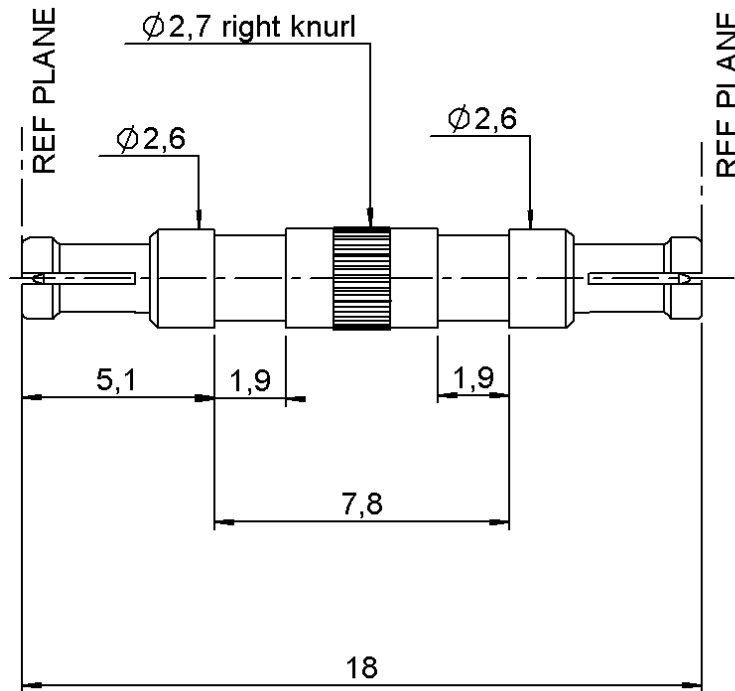


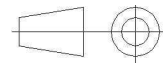
STRAIGHT MALE-MALE PANNEL ADAPTER

R199.001.703

Series : MCC2



All dimensions are in mm.



COMPONENTS	MATERIALS	PLATINGS (μm)
BODY	BRASS	NPGR
CENTER CONTACT	BRASS	NPGR
OUTER CONTACT	BRONZE	NPGR
INSULATOR	PTFE	
GASKET	-	-
OTHERS PARTS	-	-
-	-	-
-	-	-

Issue : 0809 D

In the effort to improve our products, we reserve the right to make changes judged to be necessary.



STRAIGHT MALE-MALE PANNEL ADAPTER

R199.001.703

Series : MCC2

PACKAGING

SPECIFICATION

Standard	Unit	Other
100	W option	Contact us

ELECTRICAL CHARACTERISTICS

ENVIRONMENTAL

Impedance	50	Ω
Frequency	0-6	GHz
VSWR	1.12 + 0,0000	x F(GHz) Maxi
Insertion loss	0.2	$\sqrt{F(GHz)}$ dB Maxi
RF leakage	- (AD)	- F(GHz)) dB Maxi
Voltage rating	500	Veff Maxi
Dielectric withstanding voltage	750	Veff mini
Insulation resistance	5000	M Ω mini

Operating temperature	-25/+125	$^{\circ}$ C
Hermetic seal	NA	Atm.cm3/s
Panel leakage	NA	

OTHERS CHARACTERISTICS

Assembly instruction

Others :

MECHANICAL CHARACTERISTICS

Center contact retention		
Axial force – Mating end	6	N mini
Axial force – Opposite end	6	N mini
Torque	NA	N.cm mini
Recommended torque		
Mating	NA	N.cm
Panel nut	NA	N.cm
Mating life	500	Cycles mini
Weight	0,3450	g

Issue : 0809 D

In the effort to improve our products, we reserve the right to make changes judged to be necessary.

