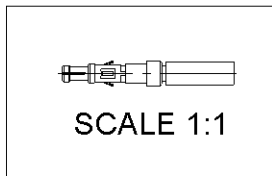
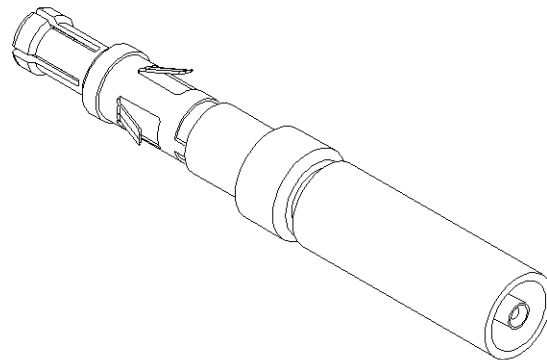
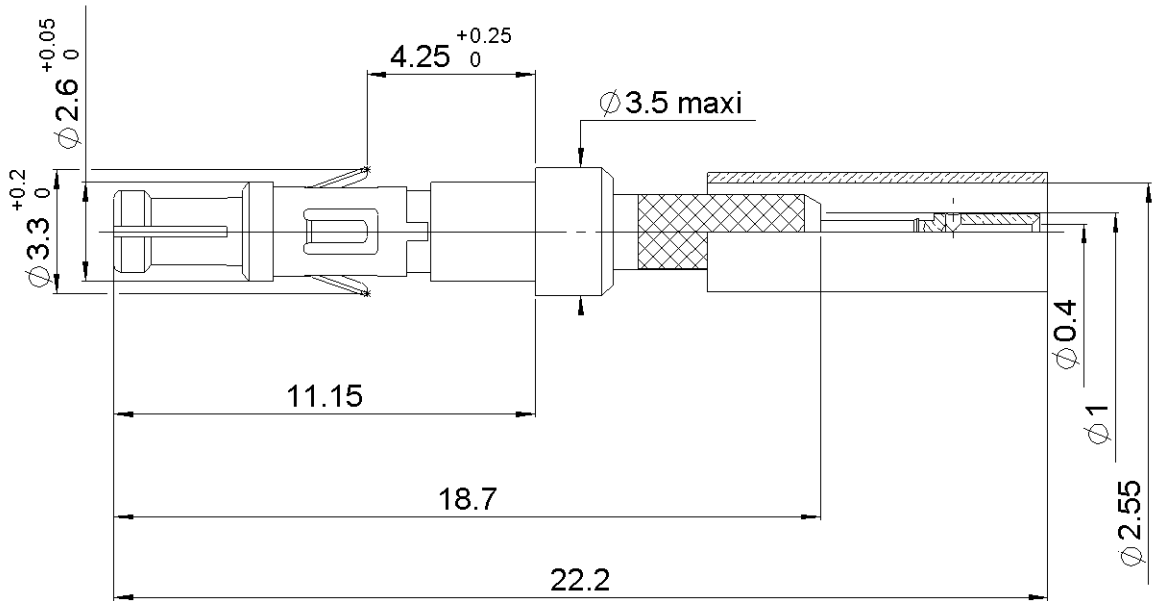
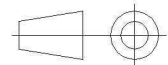


PAGE 1/2	ISSUE 1447B	SERIES MCC2	PART NUMBER R199001203
----------	-------------	-------------	------------------------



All dimensions are in mm.



COMPONENTS	MATERIALS	PLATING (µm)
Body	BRONZE	NPGR
Center contact	BRASS	NPGR
Outer contact	-	-
Insulator	PTFE	
Gasket	-	
Others parts	BRASS	GOLD OVER NICKEL
-	-	-
-	-	-

PAGE 2/2	ISSUE 1447B	SERIES MCC2	PART NUMBER R199001203
-----------------	--------------------	--------------------	-------------------------------

PACKAGING

Standard	Unit	Other
100	Contact us	Contact us

ELECTRICAL CHARACTERISTICS

Impedance	50	Ω
Frequency	0-6	GHz
VSWR	1.12* + 0,0000	x F(GHz) Maxi
Insertion loss	0.2	√F(GHz) dB Maxi
RF leakage	- (AD)	- F(GHz)) dB Maxi
Voltage rating	500	Veff Maxi
Dielectric withstanding voltage	750	Veff mini
Insulation resistance	5000	MΩ mini

MECHANICAL CHARACTERISTICS

Center contact retention		
Axial force – Mating End	NA	N mini
Axial force – Opposite end	NA	N mini
Torque	NA	N.cm mini
Recommended torque		
Mating	NA	N.cm
Panel nut	NA	N.cm
Clamp nut	NA	N.cm
A/F clamp nut	0,0000	mm
Mating life	500	Cycles mini
Weight	0,6600	g

ENVIRONMENTAL

Operating temperature	-25/+125	°C
Hermetic seal	NA	Atm.cm3/s
Panel leakage	NA	

SPECIFICATION

CABLE ASSEMBLY

Stripping	a	b	c	d	e	f
mm	2,5	6	11	0	8,5	0

Assembly instruction: **Crimp 02**

Recommended cable(s)
RG 196
RG 178 LC
RG 178
KX 21

Characteristics indicated on this data sheet are those that can be achieved with the highest performance cable. Intrinsic limitations of the cable may diminish the performance of the assembly

Cable retention

- pull off	32	N mini
- torque	NA	N.cm

TOOLING

Part Number	Description	Hexagon
R282281000	CRIMPING TOOL	2x4 (pos. 4)
R282967030	POSITIONER FOR TOOL R282 281 000	
R282211000	CRIMPING TOOL	2.67
R282293000	CRIMPING TOOL M22520/5-01	
R282235003	CRIMPING DIES M22520/5-03	2.67

OTHER CHARACTERISTICS

-*1.12 maxi between 0 to 3 GHz