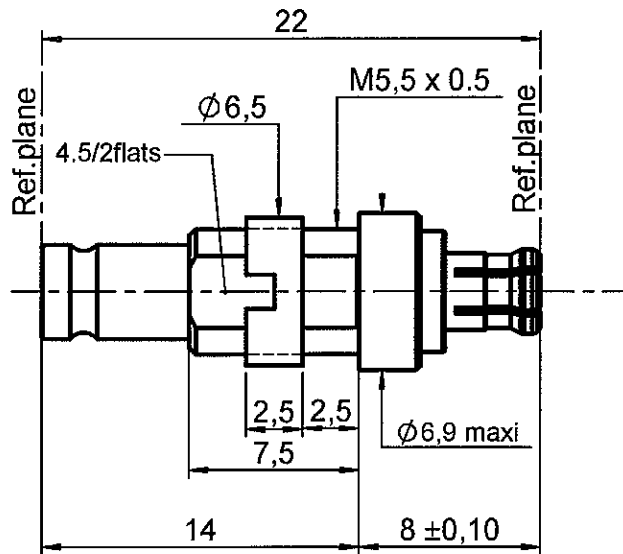


BULKHEAD ADAPTOR

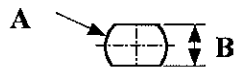
R192.810.300

DIN 1.0-2.3 FEMALE - MCX MALE PACK 100

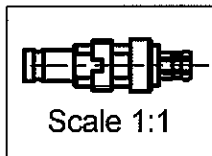
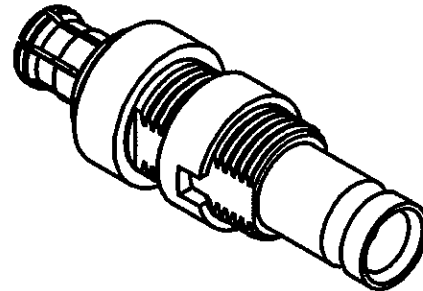
Série : ADAPT 75



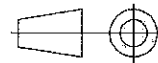
PANEL CUT OUT



	mm	
	Maxi	mini
A	5.8	5.73
B	4.6	4.53



All dimensions are in mm.



COMPONENTS	MATERIALS	PLATINGS (µm)
BODY	BRASS	GOLD 0.2 OVER NICKEL PHOSPHORUS 2
CENTER CONTACT	BERYLLIUM COPPER	GOLD 1.3 OVER NICKEL 2
OUTER CONTACT	BERYLLIUM COPPER	GOLD 0.2 OVER NICKEL PHOSPHORUS 2
INSULATOR	PTFE	
GASKET		
OTHERS PARTS	BRASS	BBR.
-	-	-
-	-	-

Issue : 0515 B

In the effort to improve our products, we reserve the rights to make changes judged to be necessary.



BULKHEAD ADAPTOR

R192.810.300

DIN 1.0-2.3 FEMALE - MCX MALE PACK 100

Série : ADAPT 75

PACKAGING

SPECIFICATION

1301-RPT 408 9013 Uen RevA

Standard	Unit	Other
100	'W' option	Contact us

ELECTRICAL CHARACTERISTICS

ENVIRONMENTAL

Impedance		75 Ω
Frequency		0-0.5 GHz
VSWR	1.2 +	0.000 x F(GHz) Maxi
Insertion loss		0.1 √F(GHz) dB Maxi
RF leakage	- (NA - F(GHz)) dB Maxi
Voltage rating		335 Veff Maxi
Dielectric withstanding voltage		750 Veff mini
Insulation resistance		1000 MΩ mini

Operating	-55/+155 °C
Hermetic seal	NA Atm.cm3/s
Panel leakage	NA

MECHANICAL CHARACTERISTICS

OTHERS CHARACTERISTICS

Center contact retention	
Axial force – Mating end	10 N mini
Axial force – Opposite end	10 N mini
Torque	NA N.cm mini
Recommended torque	
Mating	0 N.cm
	0 N.cm
	0 N.cm
Panel nut	100 N.cm
Mating life	100 Cycles mini
Weight	2.217 g

Issue : 0515 B

In the effort to improve our products, we reserve the rights to make changes judged to be necessary.



RADIALL®